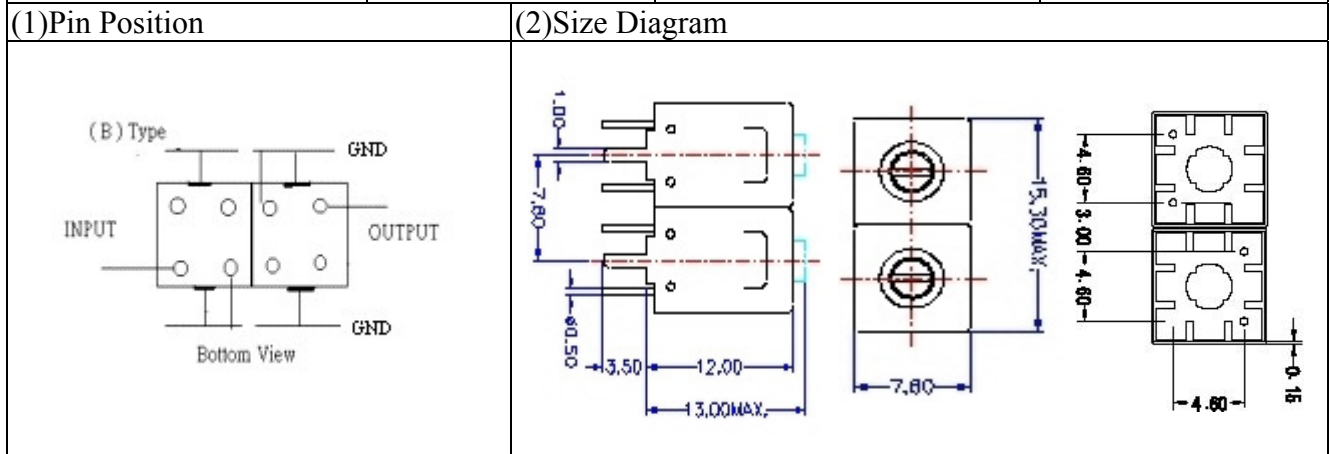


# VHF UHF Helical Filter Specification Sheet

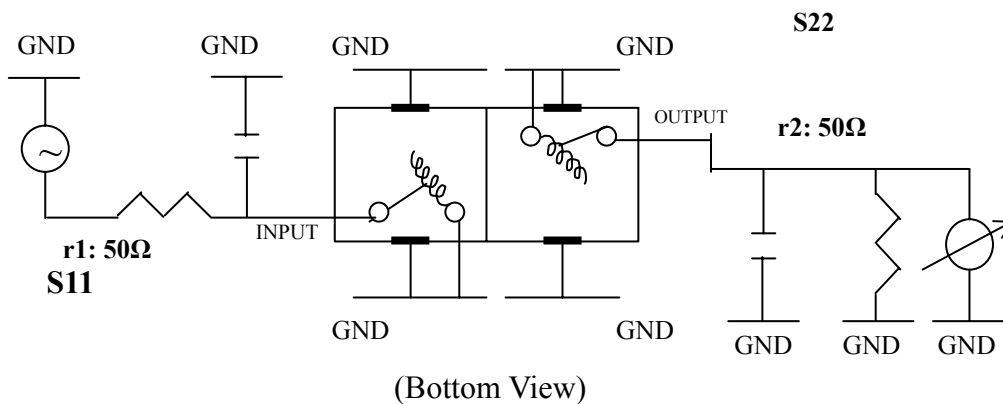
Customer Name		Temwell's Part No.	TD67751B-1282.5M
Approval No. /dated	201107081CD	Temwell's Print No.	67751B 1282.5M
Work Instruction No.	201107081CD	Date	Nov.04.2011



### (3) Electric Charasteric

Item	Specify
Center Freq.(Fo ) +/- 0.5 %	1282.5 Hz
Insertion Loss	Typ. 3.5 dB
-3 dB Bandwidth	Typ. 27 MHz
Sensitivity (Attenuation )	Fo - 100 MHz Typ. 29 dBc
	Fo + 100 MHz Typ. 25 dBc
	Fo - ( )MHz Typ. dB
	Fo +( )MHz Typ. dB
Return Loss	Min. 12 dB
Ripple	< 1 dB
Impedance	In / Out : 50 Ω
(4)Torque for Tuning Screw	> 60gf cm
(5)Temperature Condition:	
Operating Temperature	0 ~ +60
Storage Temperature	-20 ~ +70
(6)Input Power	> 1Watt

(7)Measuring Circuit: Easy to match Impedance S11/S22 50Ω by parallel with about ( -- ) pF.



Approval	Supervisor	Designer	Aperture size
C.Y.Chang	C.K.Chang	F.L.Lai	7H2S(4.65)(4.69) 7H046RB4(J1)
TEMWELL CORPORATION			

# Performance-TD67751B-1282.5M

## 201107081CD

