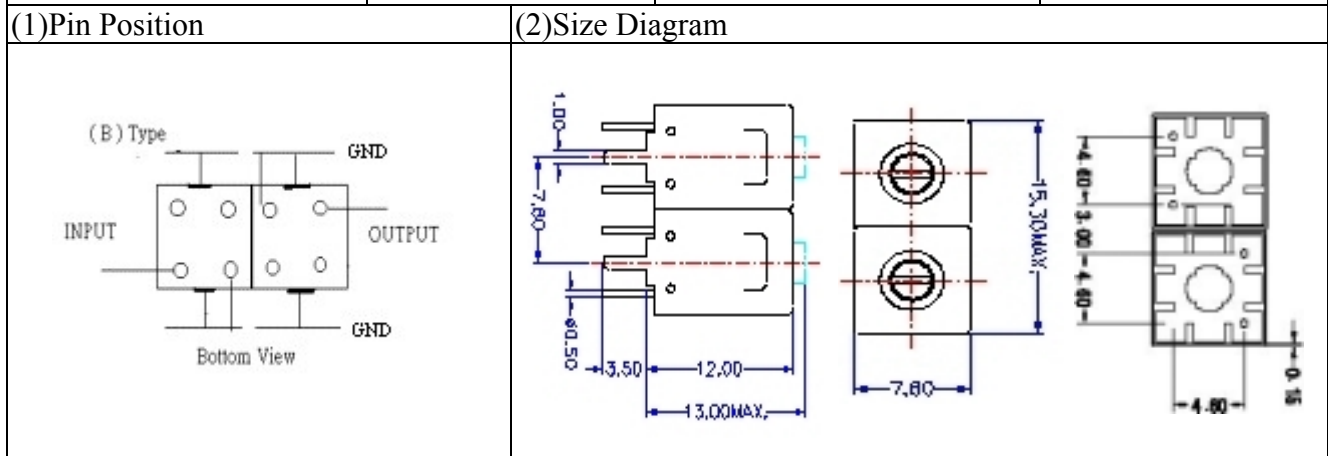


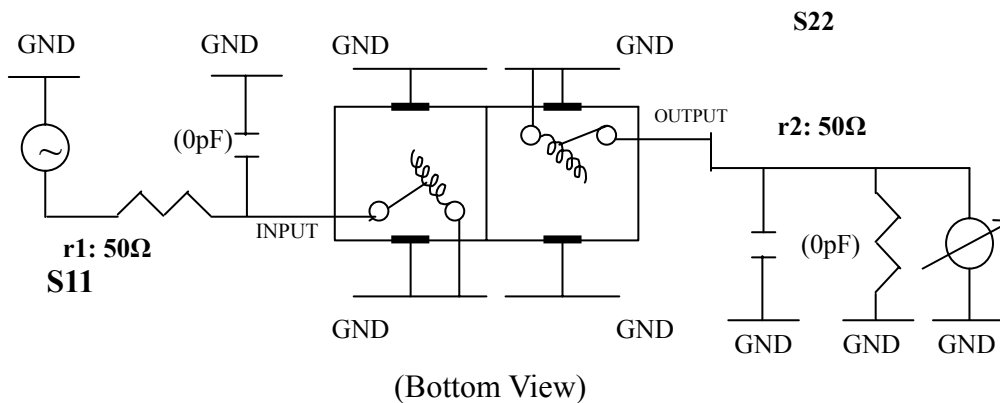
VHF UHF Helical Filter Specification Sheet

Customer Name		Temwell's Part No.	TD67480B-385M
Approval No. /dated	0906091APR	Temwell's Print name.	67480B 385M
Work Instruction No.	200907065ED	Date	Jul.17.2009



(3) Electric Charasteric	
Item	Specify
Center Freq.(Fo) +/- 0.75 %	385 MHz
Insertion Loss	Max. 2.0 dB
-1 dB Bandwidth	> 4.0 MHz
-3 dB Bandwidth	> 12 MHz
Sensitivity (Attenuation)	Fo - 40 MHz Typ. 35 dB
	Fo + 40 MHz Typ. 25 dB
	Fo - ()MHz Typ. dB
	Fo +()MHz Typ. dB
Return Loss	Min. 12 dB
Ripple	< 1 dB
Impedance	In / Out : 50 Ω
(4) Torque for Tuning Screw	> 100gf cm
(5) Temperature Condition:	
Operating Temperature	-30 ~ +70
Storage Temperature	-30 ~ +80
(6) Input Power	> 1Watt

(7) Measuring Circuit: Easy to match Impedance S11/S22 50Ω by parallel with about (0) pF.

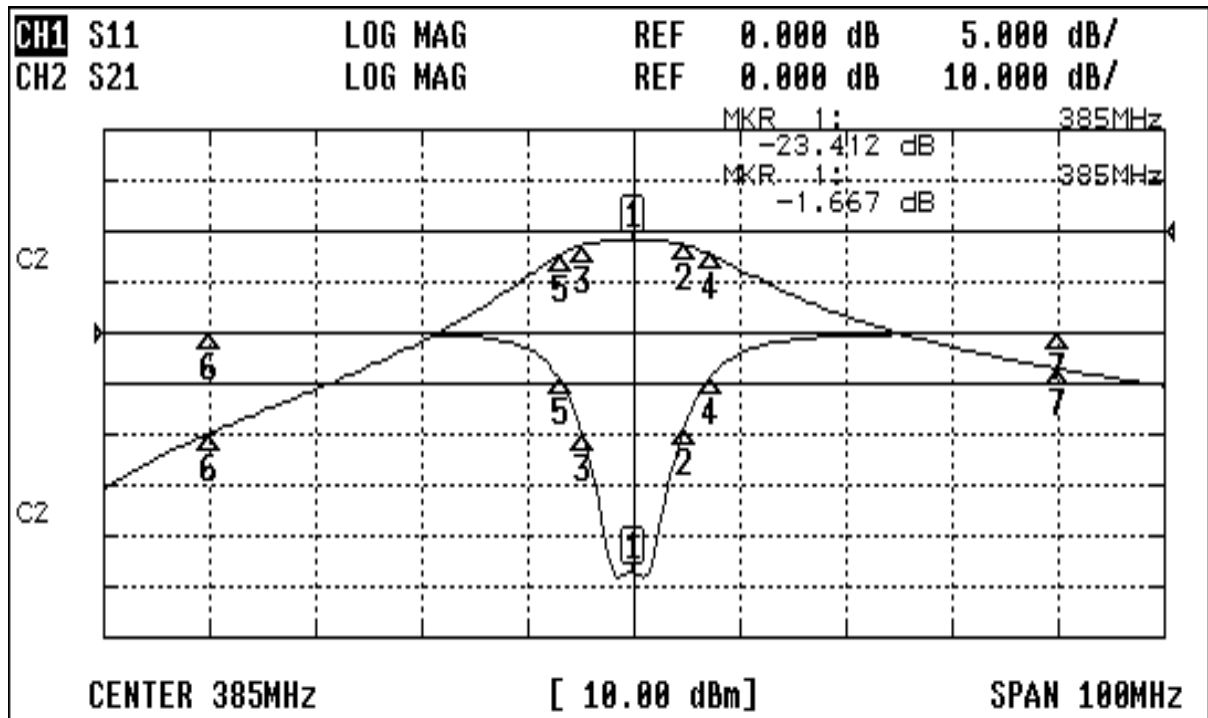


Approval C.Y.Chang	Supervisor C.K.Chang	Designer Y..H.Yeh	Aperture size 7H2S(4*6.35)(6.45) 7H046RB4
-----------------------	-------------------------	----------------------	---

TEMWELL CORPORATION

Performance-TD67480B-385M

200907065ED



CH1 MARKER LIST			
1:	385.000MHz	-23.410 dB	dB
2:	380.000MHz	-9.272	dB
3:	380.000MHz	-9.963	dB
4:	392.350MHz	-4.271	dB
5:	378.000MHz	-4.550	dB
6:	345.000MHz	0.061	dB
7:	425.000MHz	0.028	dB
10:			

CH2 MARKER LIST			
1:	385.000MHz	-1.668 dB	dB
2:	380.000MHz	-2.668	dB
3:	380.000MHz	-2.668	dB
4:	392.350MHz	-4.668	dB
5:	378.000MHz	-4.668	dB
6:	345.000MHz	-6.668	dB
7:	425.000MHz	-27.048	dB
10:			