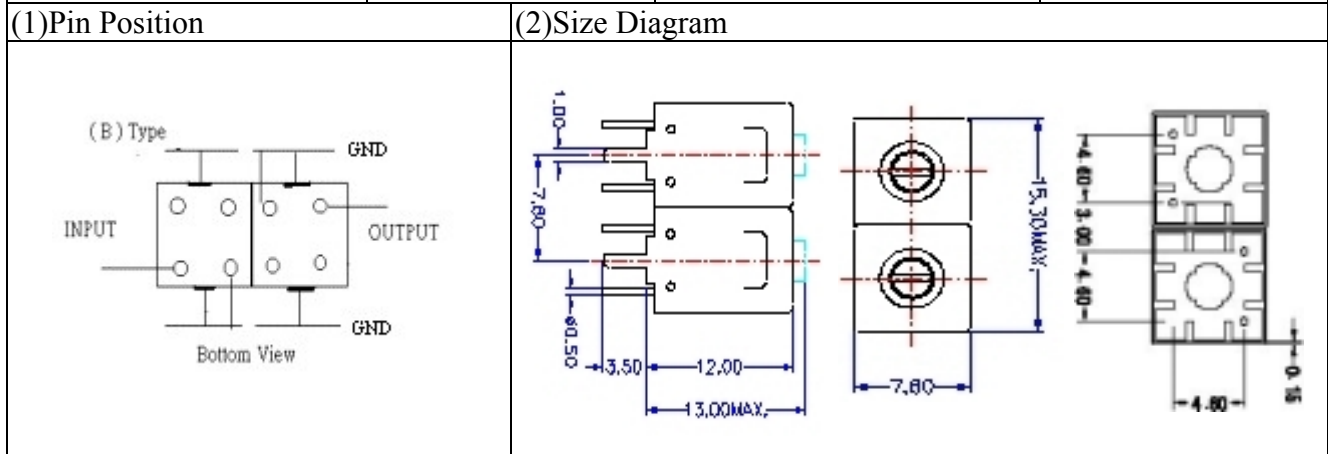


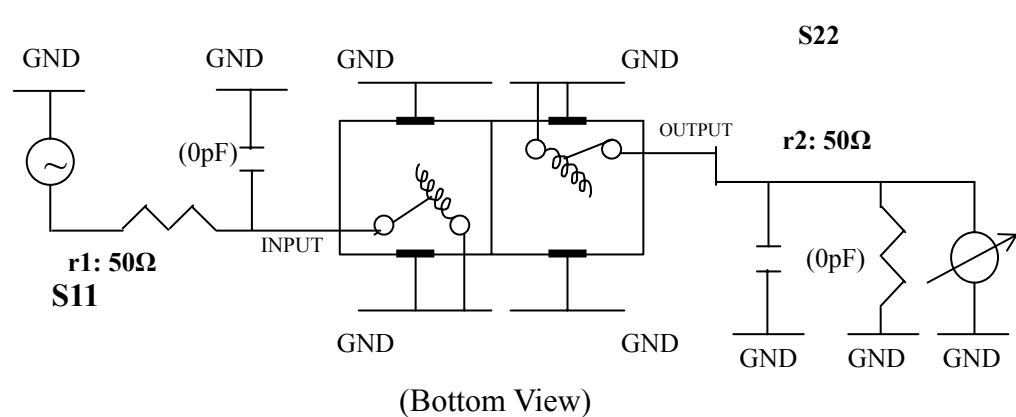
VHF UHF Helical Filter Specification Sheet

Customer Name		Temwell's Part No.	TD6738B-308M
Approval No. /dated	0907088ED	Temwell's Print name.	6738B 308M
Work Instruction No.	200907088ED	Date	Jul.21.2009



(3) Electric Charasteric	
Item	Specify
Center Freq.(Fo) +/- 0.5 %	308 MHz
Insertion Loss	Typ. 3.0 dB
-3 dB Bandwidth	Typ. 8 MHz
Sensitivity (Attenuation)	Fo - 50 MHz Typ. 26 dBc
	Fo + 50 MHz Typ. 50 dBc
	Fo - ()MHz Typ. dB
	Fo +()MHz Typ. dB
Return Loss	Min. 12 dB
Ripple	< 1 dB
Impedance	In / Out : 50 Ω
(4) Torque for Tuning Screw	
> 100gf cm	
(5) Temperature Condition:	
Operating Temperature	0 ~ +60
Storage Temperature	-20 ~ +70
(6) Input Power	
> 1Watt	

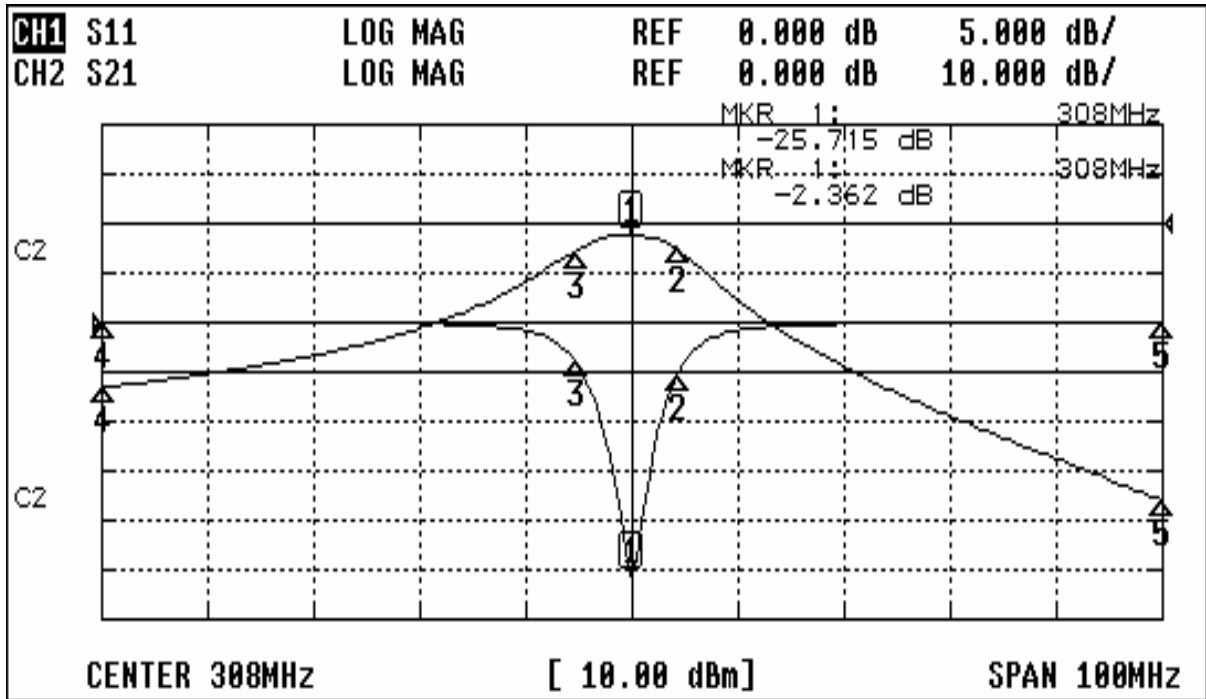
(7) Measuring Circuit: Easy to match Impedance S11/S22 50Ω by parallel with about (0) pF.



Approval C.Y.Chang	Supervisor C.K.Chang	Designer Y.H.Yeh	Aperture size 7H2S(4*5.5)(5.56) 7H046LB4.3 聚 3
TEMWELL CORPORATION			

Performance-TD6738B-308M

200907088ED



CH1 MARKER LIST		
1:	308.000MHz	-25.715 dB
2:	312.450MHz	-3.062 dB
3:	302.720MHz	-1.944 dB
4:	258.000MHz	0.011 dB
5:	358.000MHz	0.035 dB

CH2 MARKER LIST		
1:	308.000MHz	-2.362 dB
2:	312.450MHz	-1.063 dB
3:	302.720MHz	-0.967 dB
4:	258.000MHz	-1.136 dB
5:	358.000MHz	-6.201 dB