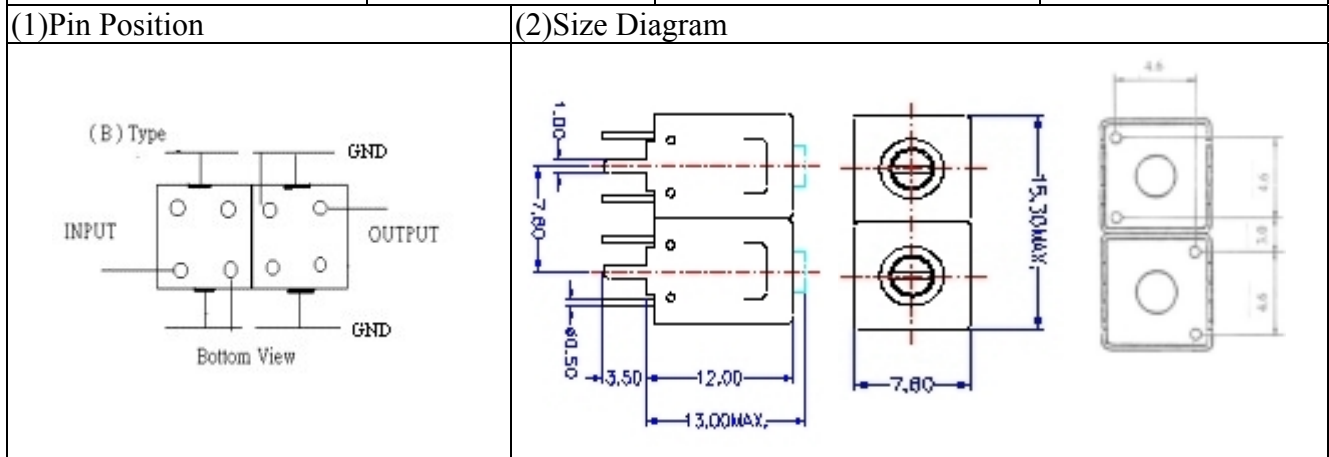
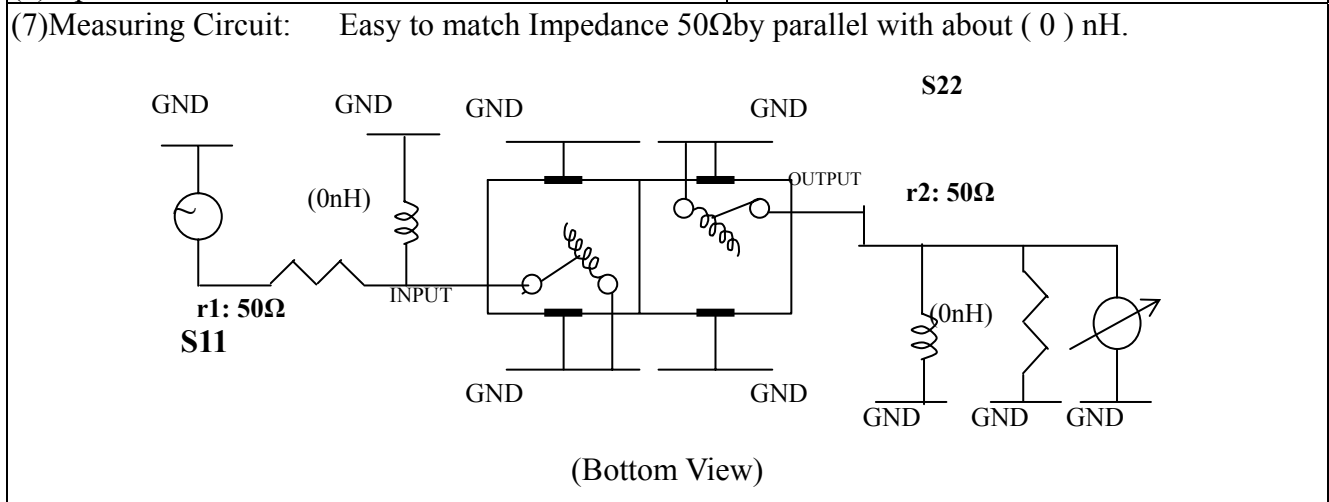


# VHF UHF Helical Filter Specification Sheet

Customer Name		Temwell's Part No.	TD6737B-260M
Approval No. /dated	1001044CD	Temwell,s print name	6737B 260M
Work Instruction No.	201001044CD	Date	Feb.23.2010



(3)Electric Charasteric	
Item	Specify
Center Freq.(Fo ) +/- 0.75 %	260 MHz
Insertion Loss	Typ. 2.5 dB
-3 dB Bandwidth	Typ 10 MHz
Sensitivity (Attenuation )	Fo - 50 MHz Typ. 25 dBc
	Fo + 50 MHz Typ. 26 dBc
	Fo - ( )MHz Typ. dBc
	Fo +( )MHz Typ. dBc
Return Loss	Min. 12 dB
Ripple	< 1 dB
Impedance	In / Out : 50 Ω
(4)Torque for Tuning Screw	> 100gf cm
(5)Temperature Condition:	
Operating Temperature	-30 ~ +70
Storage Temperature	-30 ~ +80
(6)Input Power	> 1Watt



Approval	Supervisor	Designer	Aperture size
C.Y.Chang	C.S.Chang	J.F.Lin	7H2S( 4*5.35)(5.45) 7H024LB4

TEMWELL CORPORATION

# Performance-TD6737B-260M

## 201001044CD

