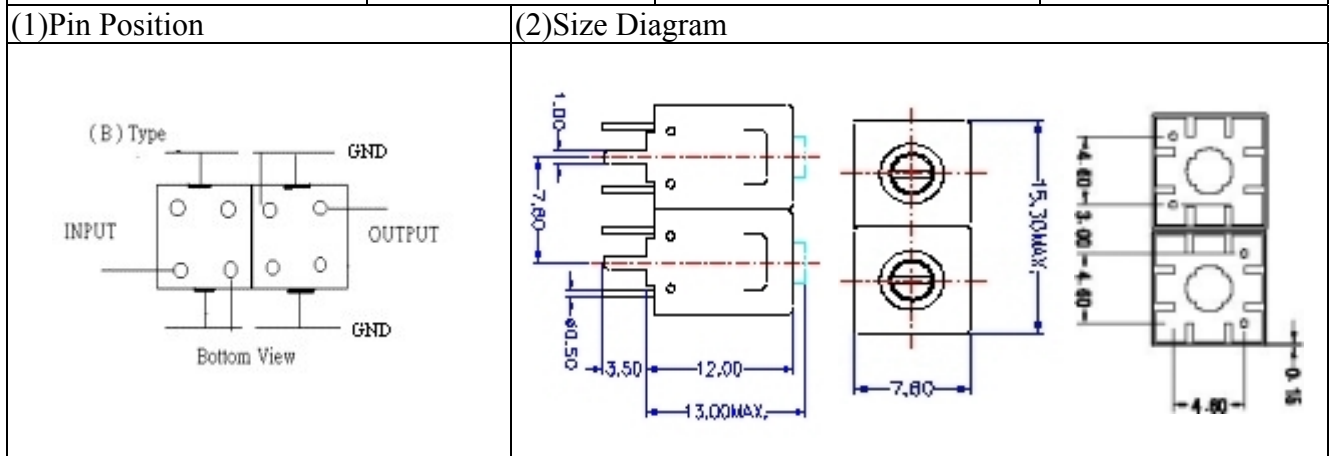


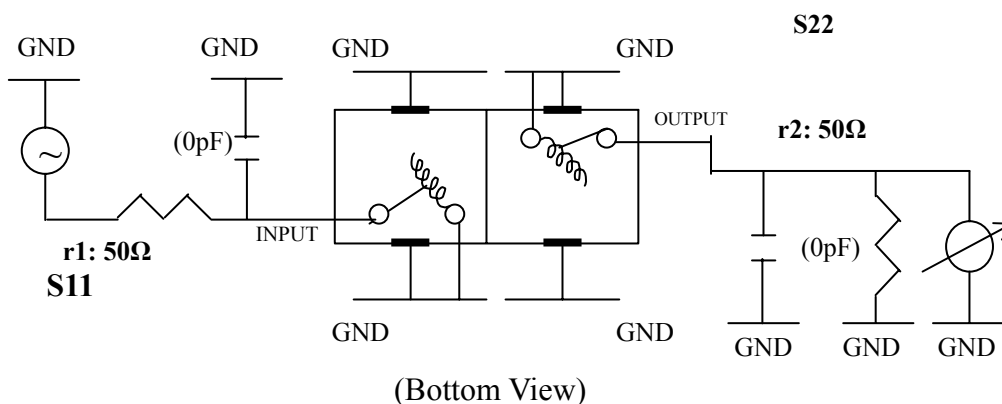
# VHF UHF Helical Filter Specification Sheet

Customer Name		Temwell's Part No.	TD6734B-240M
Approval No. /dated	1001043CD	Temwell's Print No.	6734B 240M
Work Instruction No.	201001043CD	Date	Feb.23.2010



(3) Electric Charasteric		Item	Specify
Center Freq.(Fo ) +/- 0.5 %			240 MHz
Insertion Loss		Typ.	2.5 dB
-3 dB Bandwidth		Typ.	8 MHz
Sensitivity (Attenuation )	Fo - 50 MHz	Typ.	30 dBc
	Fo + 50 MHz	Typ.	40 dBc
	Fo - ( )MHz	Typ.	dB
	Fo +( )MHz	Typ.	dB
Return Loss		Min.	12 dB
Ripple			< 1 dB
Impedance			In / Out : 50 Ω
(4) Torque for Tuning Screw			> 100gf cm
(5) Temperature Condition:			
Operating Temperature			0 ~ +60
Storage Temperature			-20 ~ +70
(6) Input Power			> 1Watt

(7) Measuring Circuit: Easy to match Impedance S11/S22 50Ω by parallel with about ( 0 ) pF.



Approval C.Y.Chang	Supervisor C.K.Chang	Designer F.L.Lai	Aperture size 7H2S(4*5.35)(5.42) 7H024LB4
-----------------------	-------------------------	---------------------	---

TEMWELL CORPORATION

# Performance-TD6734B-240M

## 201001043CD

