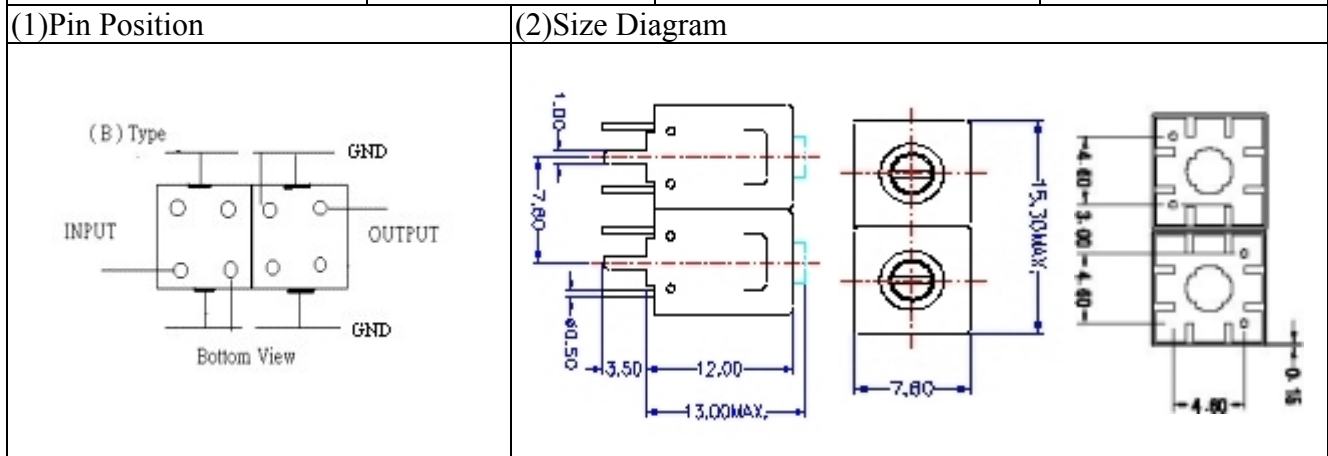


VHF UHF Helical Filter Specification Sheet

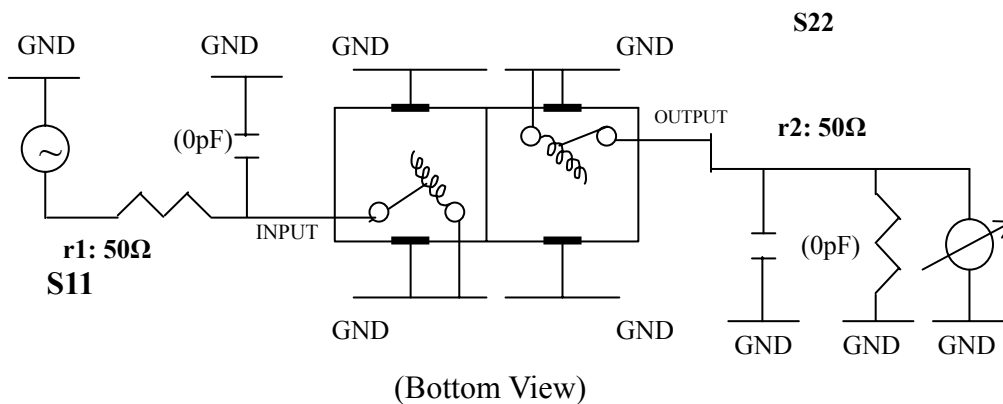
Customer Name		Temwell's Part No.	TD6732B-220M
Approval No. /dated	1001042CD	Temwell's Print No.	6732B 220M
Work Instruction No.	201001042CD	Date	Feb.23.2010



(3) Electric Charasteric

Item	Specify	
Center Freq.(Fo) +/- 0.5 %	220	MHz
Insertion Loss	Typ. 2.5	dB
-3 dB Bandwidth	Typ. 8	MHz
Sensitivity (Attenuation)	Fo - 20 MHz	Typ. 17 dBc
	Fo + 20 MHz	Typ. 22 dBc
	Fo - ()MHz	Typ. dB
	Fo +()MHz	Typ. dB
Return Loss	Min. 12	dB
Ripple	< 1	dB
Impedance	In / Out : 50 Ω	
(4)Torque for Tuning Screw	> 100gf cm	
(5)Temperature Condition:		
Operating Temperature	0 ~ +60	
Storage Temperature	-20 ~ +70	
(6)Input Power	> 1Watt	

(7)Measuring Circuit: Easy to match Impedance S11/S22 50Ω by parallel with about (0) pF.



Approval C.Y.Chang	Supervisor C.K.Chang	Designer F.L.Lai	Aperture size 7H2S(4*5.5)(5.53) 7H024LB4
-----------------------	-------------------------	---------------------	--

TEMWELL CORPORATION

Performance-TD6732B-220M

201001042CD

