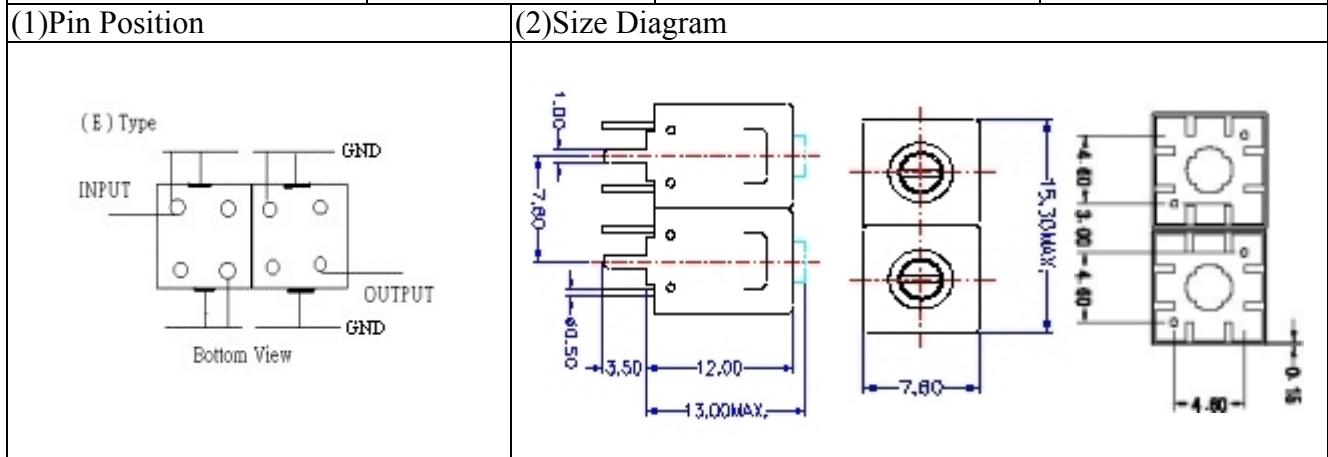
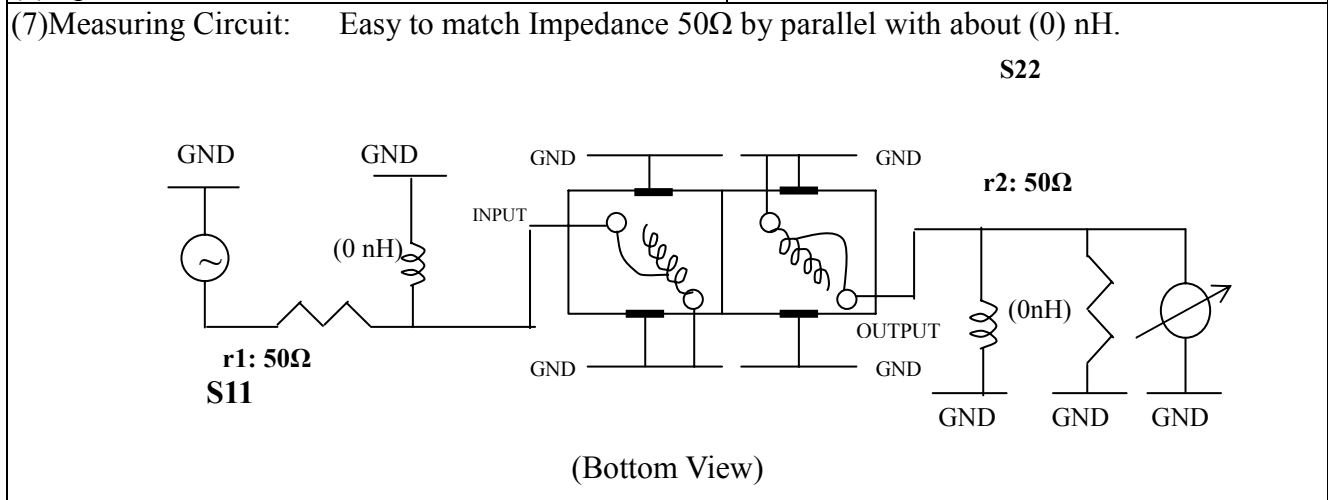


VHF UHF Helical Filter Specification Sheet

Customer Name		Temwell's Part No.	TD67281E-152M
Approval No. /dated	0705072APR	Customer's Print Name.	67281E 152M
Work Instruction No.	0709028A	Date	Oct.15.2007



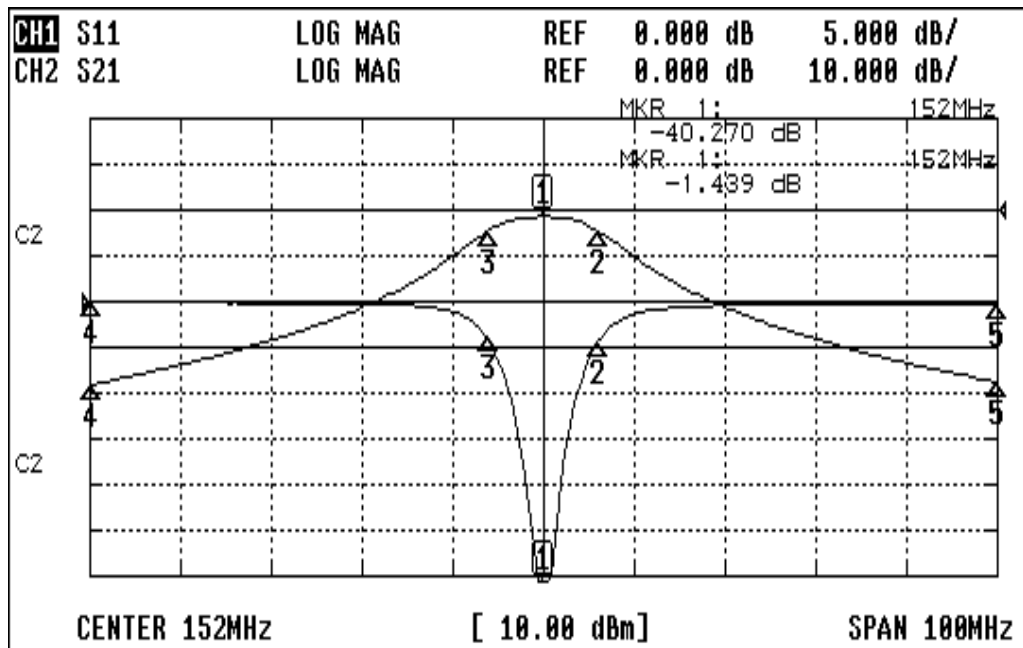
(3) Electric Characteristic	
Item	Specify
Center Freq.(Fo) +/- 0.5 %	152 MHz
Tunable Range:	152±2 MHz
Insertion Loss	Typ. 2.5 dB
-3 dB Bandwidth	Typ. 10 MHz
Sensitivity (Attenuation)	Fo - 50 MHz Typ. 33 dBc
	Fo + 50 MHz Typ. 33 dBc
	Fo - ()MHz Typ. dBc
	Fo +()MHz Typ. dBc
Return Loss	Min. 12 dB
Ripple	< 1 dB
Impedance	In / Out : 50 Ω
(4) Torque for Tuning Screw	> 100gf cm
(5) Temperature Condition:	
Operating Temperature	0 ~ +60
Storage Temperature	-20 ~ +70
(6) Input Power	> 1Watt



Approval	Supervisor	Designer	Aperture size
C.Y.Chang	C.S.Chang	J.F.Lin	7H2S(4*6.5)(6.59)F 7H00LB4
TEMWELL CORPORATION			

Performance-TD67281E-152M

0709028A



CH1 MARKER LIST

1:	152.000MHz	-40.270 dB
2:	158.000MHz	-4.532 dB
3:	145.916MHz	-4.042 dB
4:	102.000MHz	-0.125 dB
5:	202.000MHz	-0.226 dB
6:		
7:		
8:		
9:		
10:		

CH2 MARKER LIST

1:	152.000MHz	-1.439 dB
2:	158.000MHz	-4.432 dB
3:	145.916MHz	-4.492 dB
4:	102.000MHz	-36.161 dB
5:	202.000MHz	-37.616 dB
6:		
7:		
8:		
9:		
10:		