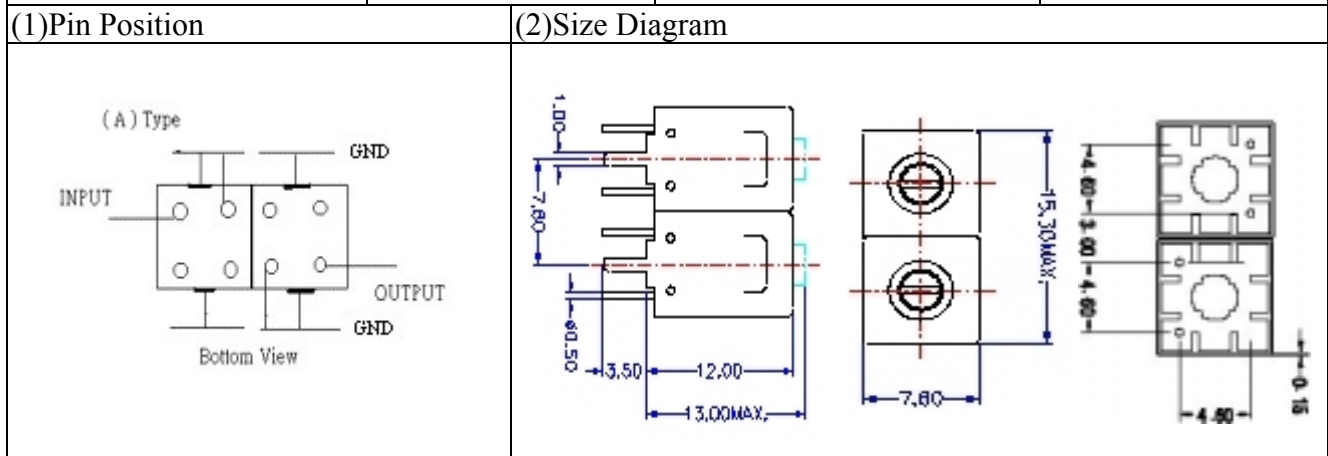
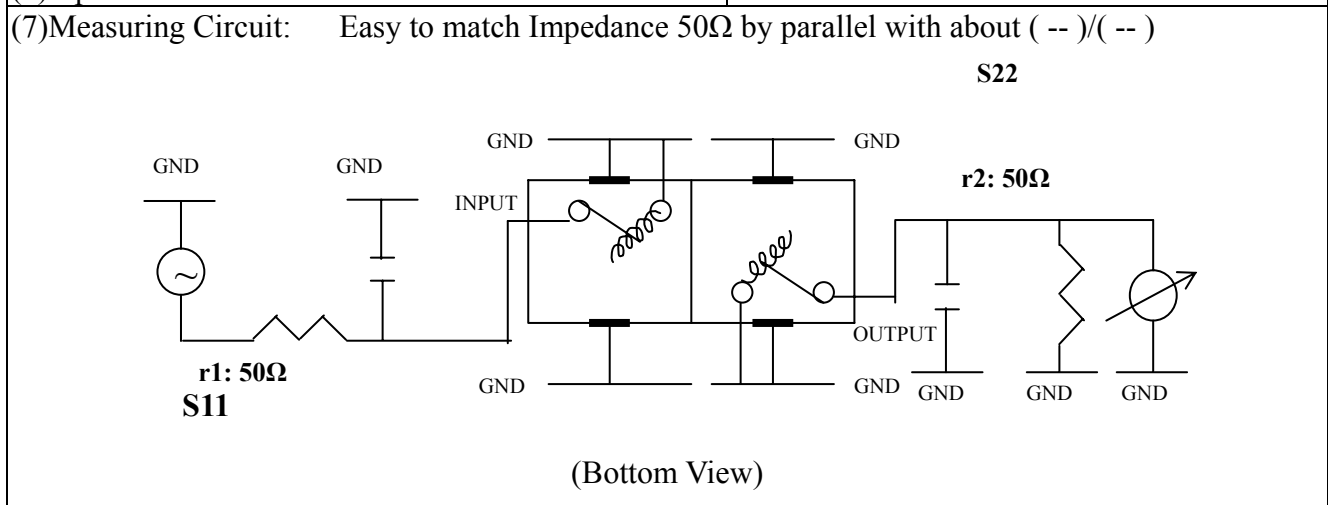


VHF UHF Helical Filter Specification Sheet

Customer Name		Temwell's Part No.	TD67281A-146M
Approval No. /dated	201107069CD	Temwell's Print Name.	67281A 146M
Work Instruction No.	201107069CD	Date	Jul.29.2011



(3) Electric Charasteric	
Item	Specify
Center Freq.(Fo) +/- 0.75 %	146 MHz
Insertion Loss	Typ. 2.5 dB
-3 dB Bandwidth	Typ. 8 MHz
Sensitivity (Attenuation)	Fo - 50 MHz Typ. 34 dBc
	Fo + 50 MHz Typ. 37 dBc
	Fo - ()MHz Typ. dBc
	Fo +()MHz Typ. dBc
Return Loss	Min. 12 dB
Ripple	< 1 dB
Impedance	In / Out : 50 Ω
(4) Torque for Tuning Screw	
> 100gf cm	
(5) Temperature Condition:	
Operating Temperature	-30 ~ +70
Storage Temperature	-30 ~ +80
(6) Input Power	
> 1Watt	



Approval C.Y.Chang	Supervisor C.K.Chang	Designer F.L.Lai	Aperture size 7H2S(4*7.5)(7.53) 7H024LB4
TEMWELL CORPORATION			

Performance-TD67281A-146M

201107069CD

