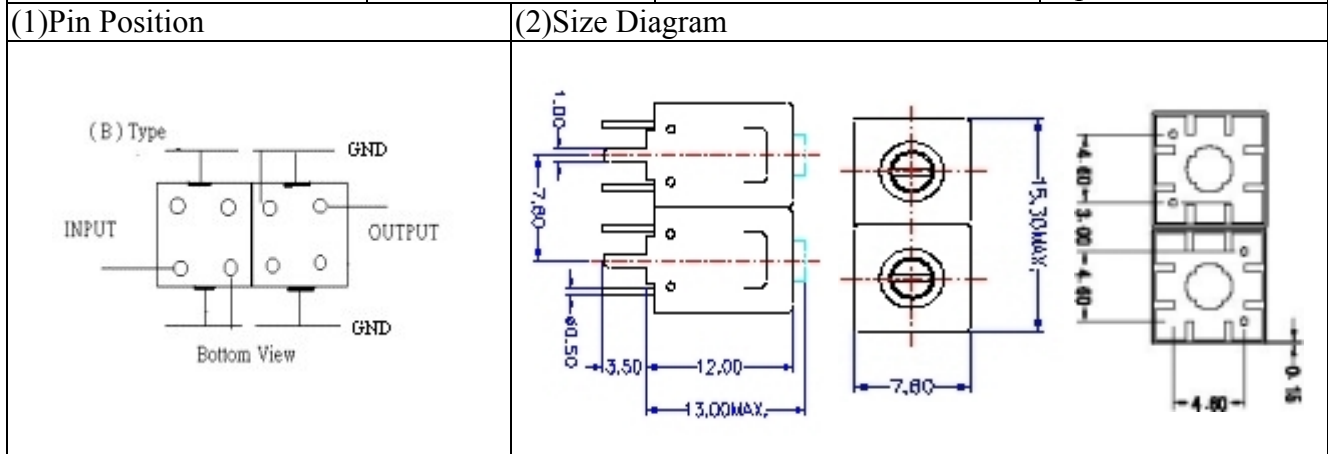


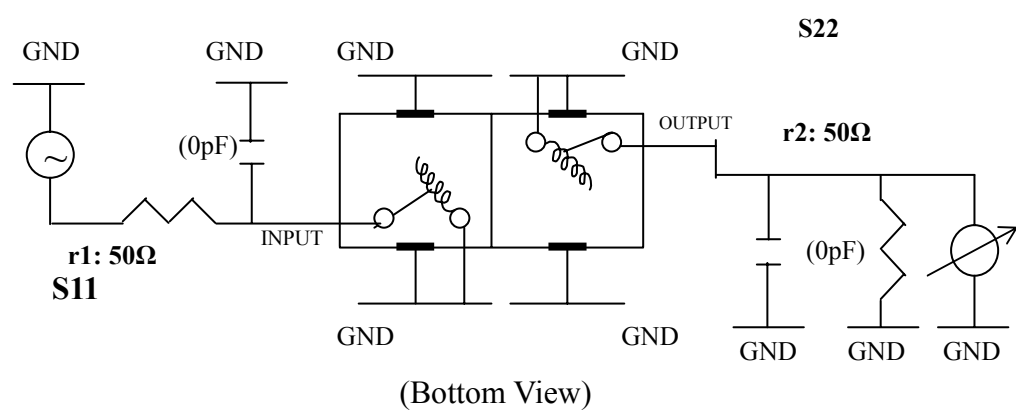
VHF UHF Helical Filter Specification Sheet

Customer Name		Temwell's Part No.	TD67156B1-435M
Approval No. /dated	0709012APR	Temwell's Print Name	67156B1 435M
Work Instruction No.	0709012C	Date	Sep.13.2007



(3) Electric Charasteric	
Item	Specify
Center Freq.(Fo) +/- 0.5 %	435 MHz
Tunable Range:	435±5 MHz
Insertion Loss	Typ. 2.0 dB
-3 dB Bandwidth	Typ. 21 MHz
Sensitivity (Attenuation)	Fo - 50 MHz Typ. 17 dBc
	Fo + 50 MHz Typ. 25 dBc
	Fo - ()MHz Typ. dBc
	Fo +()MHz Typ. dBc
Return Loss	Min. 12 dB
Ripple	< 1 dB
Impedance	In / Out : 50 Ω
(4) Torque for Tuning Screw	> 100gf cm
(5) Temperature Condition:	
Operating Temperature	0 ~ +60
Storage Temperature	-20 ~ +70
(6) Input Power	> 1Watt

(7) Measuring Circuit: Easy to match Impedance 50Ω by parallel with about (0pF)/(0pF).

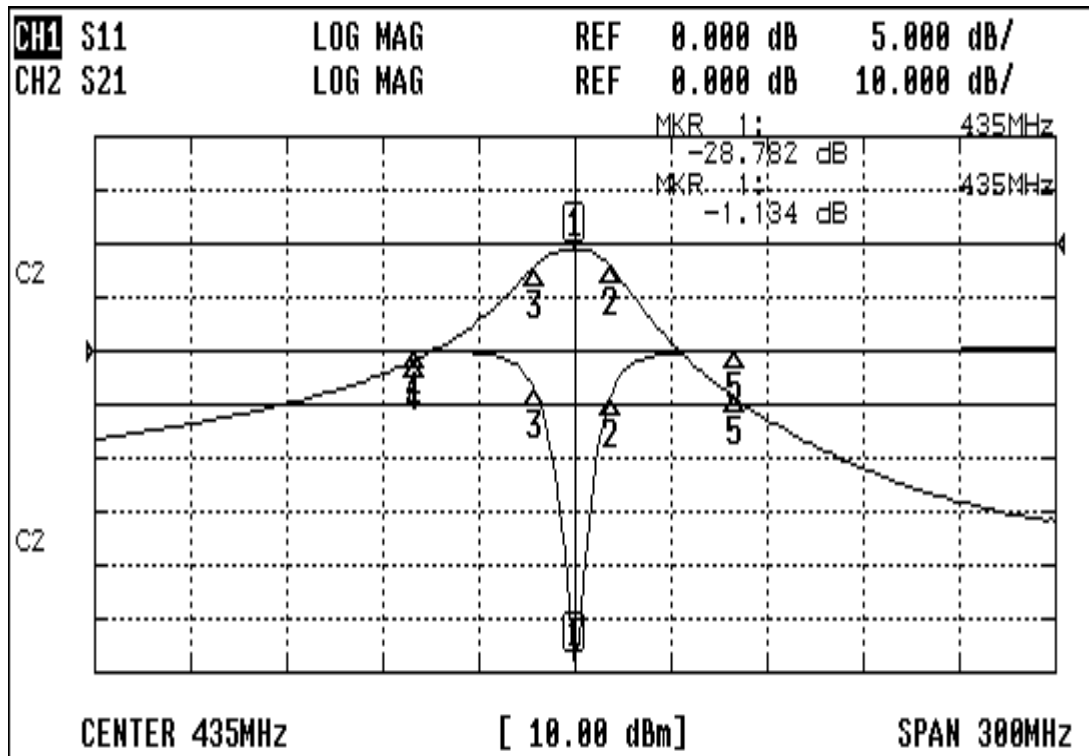


Approval C.Y.Chang	Supervisor C.S.Chang	Designer P.H.Chiang	Aperture size 7H2S(4*6.5)F 7H046LB4 聚 3
-----------------------	-------------------------	------------------------	---

TEMWELL CORPORATION

Performance-TD67156B1-435M

0709012C



CH1 MARKER LIST

1:	435.000MHz	-28.782 dB
2:	446.250MHz	-4.367 dB
3:	422.750MHz	-3.652 dB
4:	385.000MHz	0.011 dB
5:	485.000MHz	0.018 dB
6:		
7:		
8:		
9:		
10:		

CH2 MARKER LIST

1:	435.000MHz	-1.134 dB
2:	446.250MHz	-4.050 dB
3:	422.750MHz	-4.092 dB
4:	385.000MHz	-21.698 dB
5:	485.000MHz	-28.711 dB
6:		
7:		
8:		
9:		
10:		