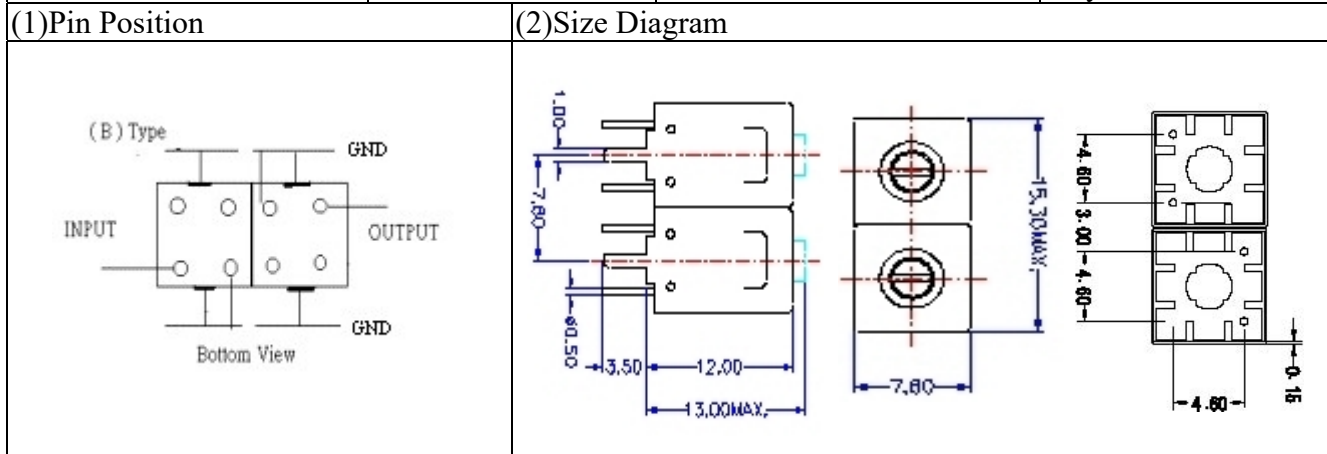


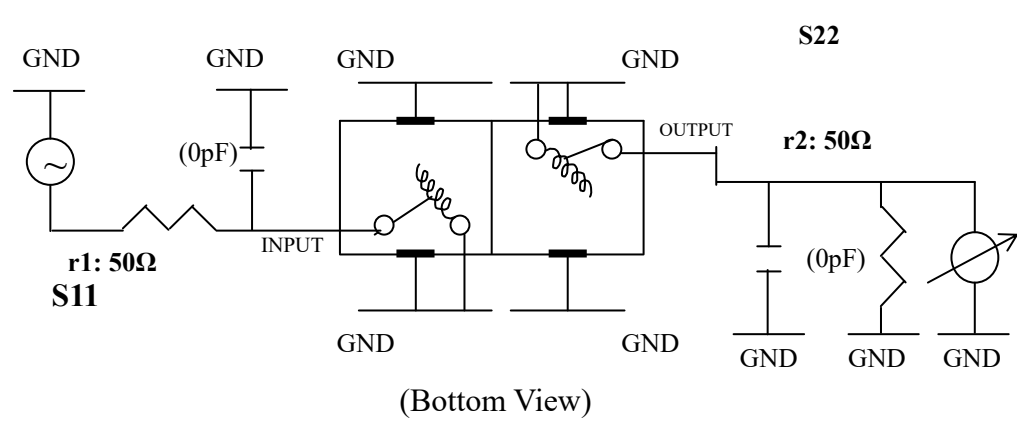
VHF UHF Helical Filter Specification Sheet

Customer Name		Temwell's Part No.	TD6711B-435M
Approval No. /dated	0905047APR	Temwell's print name.	6711B 435M
Work Instruction No.	200905047CD	Date	May.18.2009



(3) Electric Charasteric	
Item	Specify
Center Freq.(Fo) +/- 0.5 %	435 MHz
Insertion Loss	Typ. 3.0 dB
-3 dB Bandwidth	Typ. 10 MHz
Sensitivity (Attenuation)	Fo - 40 MHz Typ. 40 dBc
	Fo + 40 MHz Typ. 25 dBc
	Fo - ()MHz Typ. dB
	Fo +()MHz Typ. dB
Return Loss	Min. 12 dB
Ripple	< 1 dB
Impedance	In / Out : 50 Ω
(4) Torque for Tuning Screw	
> 100gf · cm	
(5) Temperature Condition:	
Operating Temperature	0°C ~ +60°C
Storage Temperature	-20°C ~ +70°C
(6) Input Power	
> 1Watt	

(7) Measuring Circuit: ※Easy to match Impedance S11/S22 50Ω by parallel with about (0) pF.



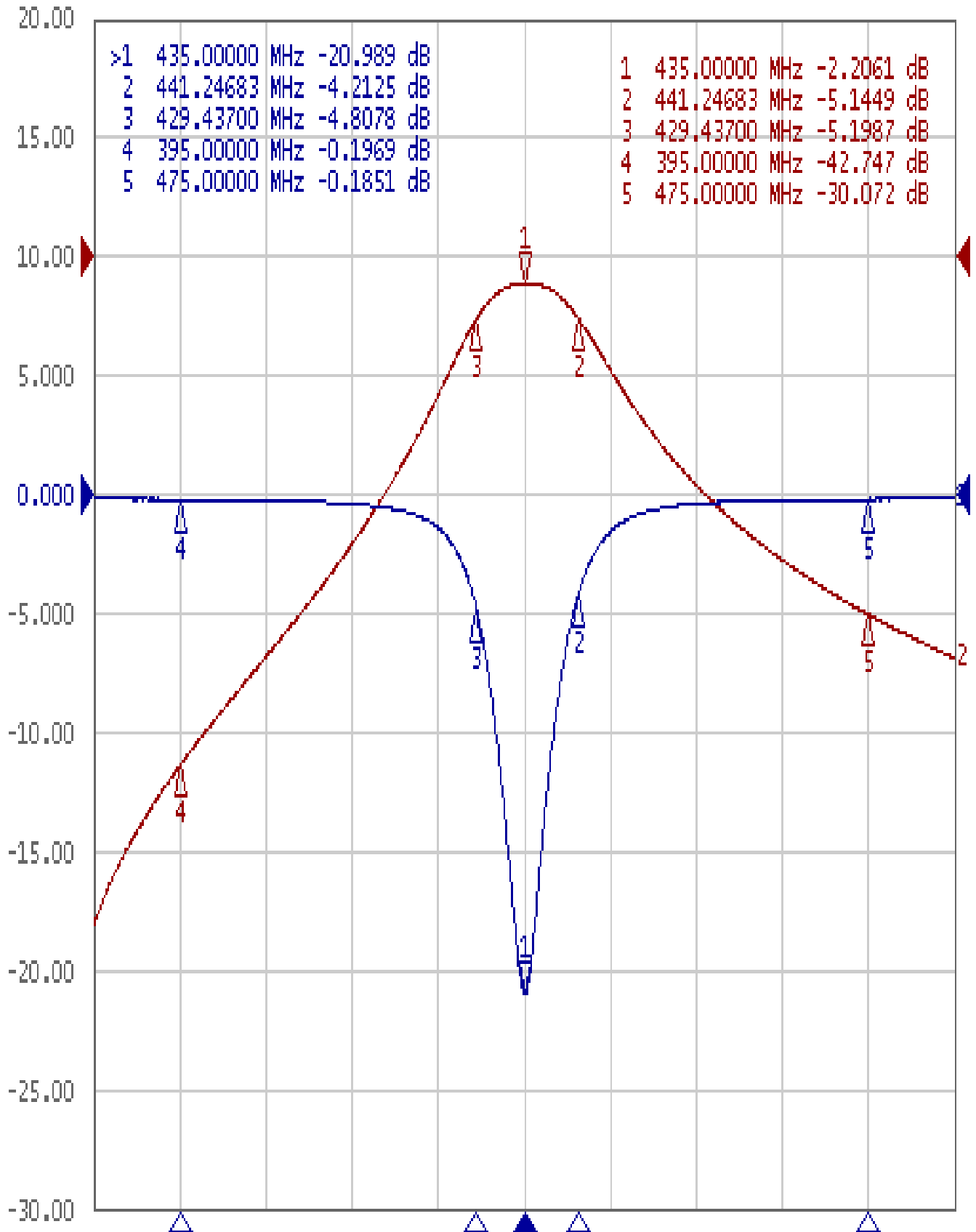
Approval C.Y.Chang	Supervisor C.K.Chang	Designer Y.H.Yeh	Aperture size 7H2S(4*5.5)(5.60) 7H046RB4
TEMWELL CORPORATION			

Performance-TD6711B-435M

200905047CD

Tr1 S11 Log Mag 5.000dB/ Ref 0.000dB [F2]

Tr2 S21 Log Mag 10.000dB/ Ref 0.000dB [F2]



1 Center 435 MHz

IFBW 10 kHz

Span 100 MHz Cor !