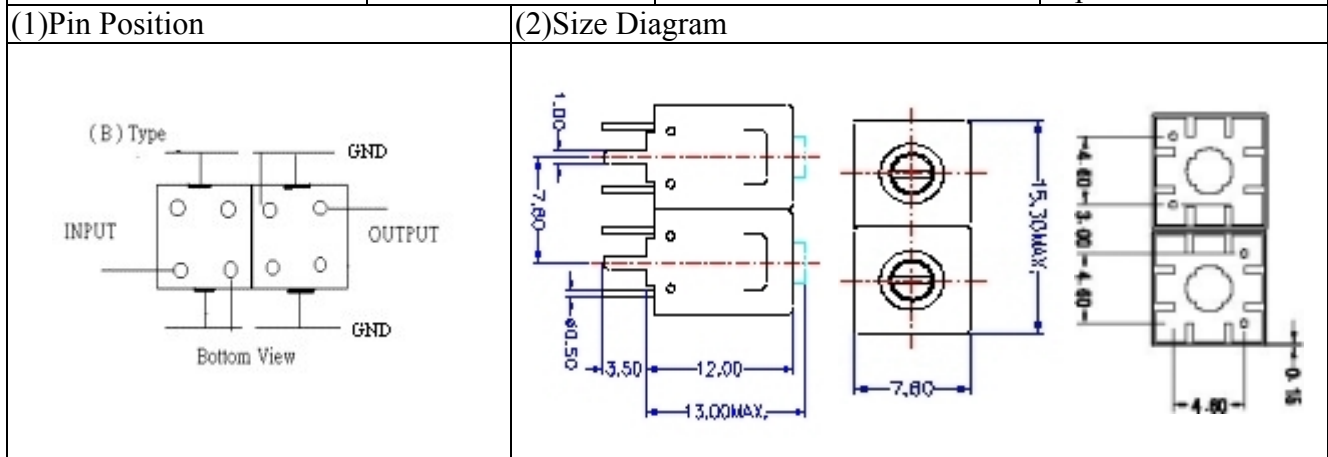


# VHF UHF Helical Filter Specification Sheet

Customer Name		Temwell's Part No.	TD6711B-418M
Approval No. /dated	0709009APR	Temwell's Print Name.	6711B 418M
Work Instruction No.	0709009C	Date	Sep0.19.2007



### (3)Electric Characteristic

Item	Specify
Center Freq.(Fo) +/- 0.5 %	418 MHz
Tunable Range:	418±5 MHz
Insertion Loss	Typ. 4.0 dB
-3 dB Bandwidth	Typ. 7 MHz
Sensitivity (Attenuation)	Fo - 40 MHz Typ. 46 dBc
	Fo + 40 MHz Typ. 29 dBc
	Fo - ( )MHz Typ. dBc
	Fo +( )MHz Typ. dBc
Return Loss	Min. 12 dB
Ripple	< 1 dB
Impedance	In / Out : 50 Ω

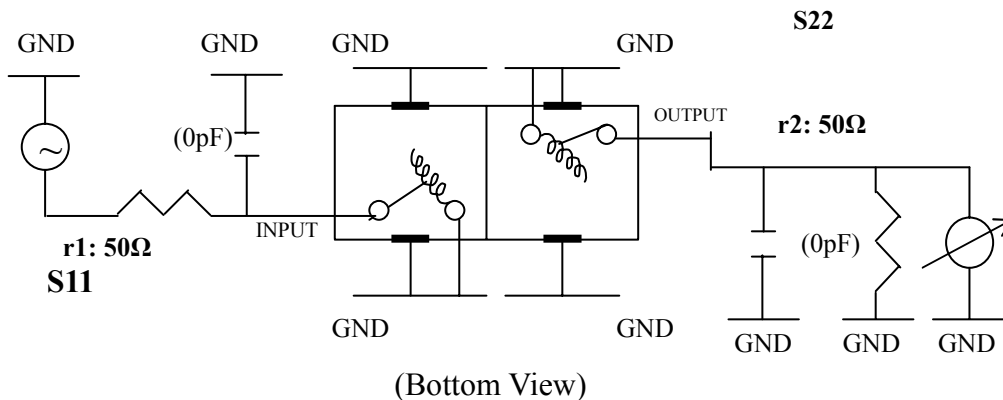
(4)Torque for Tuning Screw > 100gf cm

### (5)Temperature Condition:

Operating Temperature	0 ~ +60
Storage Temperature	-20 ~ +70

(6)Input Power > 1Watt

(7)Measuring Circuit: Easy to match Impedance 50Ω by parallel with about ( 0 ) pF.



Approval	Supervisor	Designer	Aperture size
C.Y.Chang	C.S.Chang	P.H.Chiang	7H2S(4*5.5)F 7H046RB4

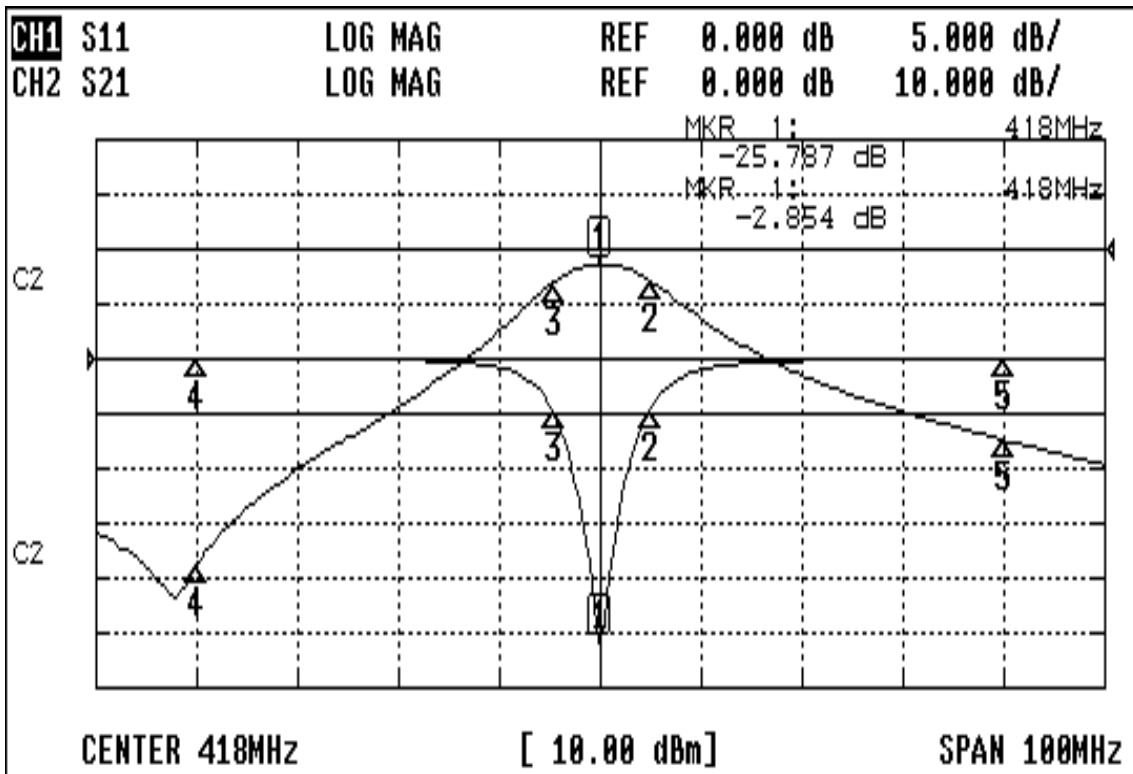
TEMWELL CORPORATION

TEMWELL

Form10-7H2B Vision D RP(PH)

# Performance-TD6711B-418M

0709009C



## CH1 MARKER LIST

1:	418.000MHz	-25.793 dB
2:	423.083MHz	-4.438 dB
3:	413.416MHz	-4.825 dB
4:	378.000MHz	0.021 dB
5:	458.000MHz	0.034 dB
6:		
7:		
8:		
9:		
10:		

## CH2 MARKER LIST

1:	418.000MHz	-2.854 dB
2:	423.083MHz	-5.849 dB
3:	413.416MHz	-5.831 dB
4:	378.000MHz	-7.880 dB
5:	458.000MHz	-34.766 dB
6:		
7:		
8:		
9:		
10:		