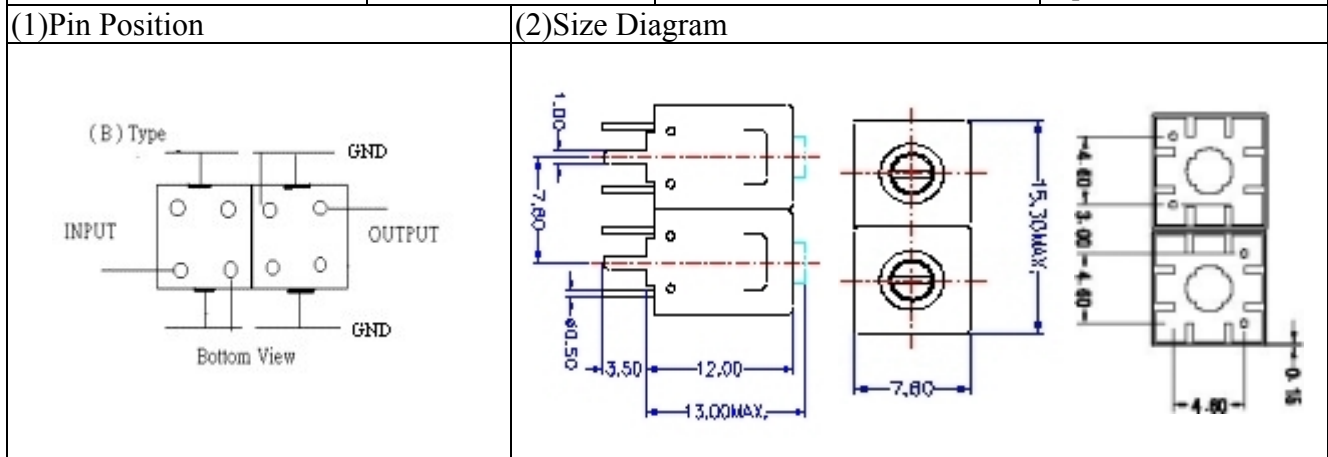


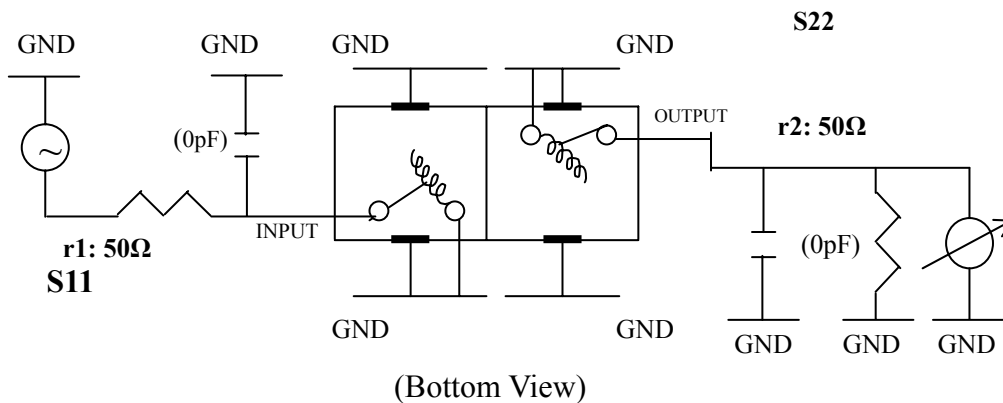
# VHF UHF Helical Filter Specification Sheet

Customer Name		Temwell's Part No.	TD6710B-311M
Approval No. /dated	0709011APR	Temwell's Print Name.	6710B 311M
Work Instruction No.	0709011C	Date	Sep.19.2007



(3)Electric Charasteric	
Item	Specify
Center Freq.(Fo) +/- 0.5%	311 MHz
Tunable Range:	311±4 MHz
Insertion Loss	Typ. 2.5 dB
-3 dB Bandwidth	Typ. 13 MHz
Sensitivity (Attenuation)	Fo - 50 MHz Typ. 24 dBc
	Fo + 50 MHz Typ. 34 dBc
	Fo -( ) MHz Typ. dBc
	Fo +( )MHz Typ. dBc
Return Loss	Min. 12 dB
Ripple	< 1 dB
Impedance	In / Out : 50 Ω
(4)Torque for Tuning Screw	>100gf · cm
(5)Temperature Condition:	
Operating Temperature	0 ~ +60
Storage Temperature	-20 ~ +70
(6)Input Power	> 1Watt

(7)Measuring Circuit: Easy to match Impedance 50Ω by parallel with about (0pF)/(0pF).

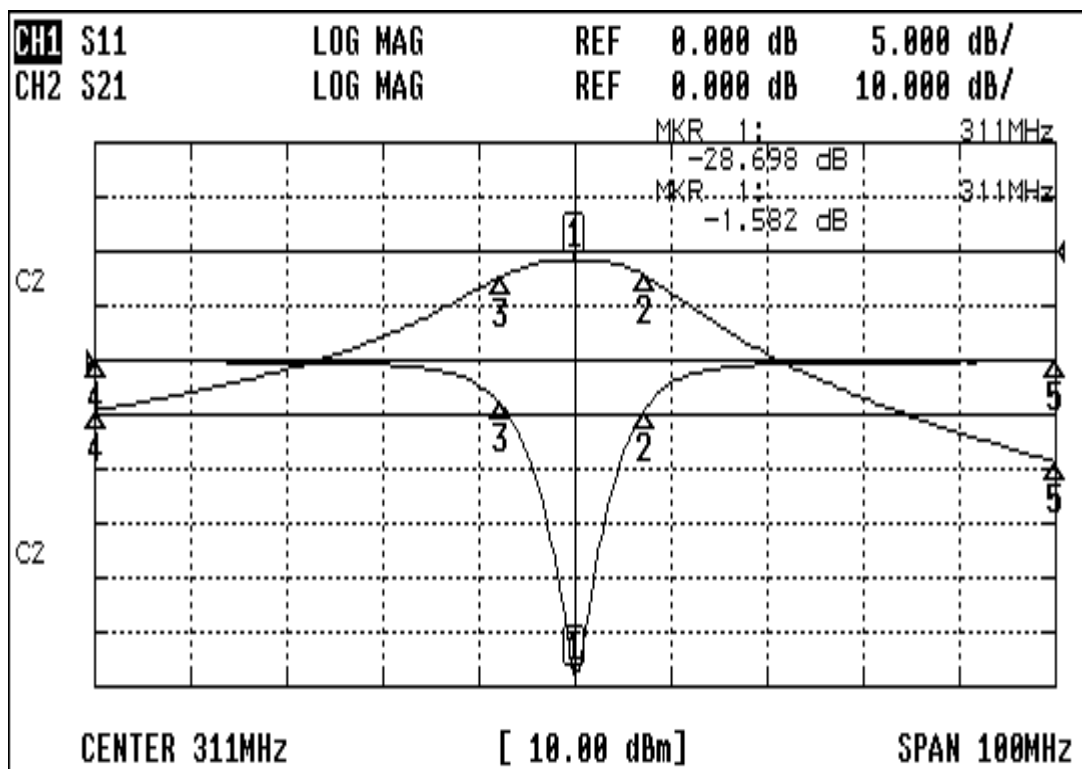


Approval C.Y.Chang	Supervisor C.S.Chang	Designer K.M.Yin	Aperture size 7H2S(4*6.5)F 7H046LB4 聚 3
-----------------------	-------------------------	---------------------	---

TEMWELL CORPORATION

# Performance-TD6710B-311M

## 0709011C



### CH1 MARKER LIST

1:	311.000MHz	-28.698 dB
2:	318.416MHz	-4.385 dB
3:	303.333MHz	-4.031 dB
4:	261.000MHz	-0.112 dB
5:	361.000MHz	-0.115 dB

### CH2 MARKER LIST

1:	311.000MHz	-1.582 dB
2:	318.416MHz	-4.526 dB
3:	303.333MHz	-4.596 dB
4:	261.000MHz	-29.202 dB
5:	361.000MHz	-38.674 dB