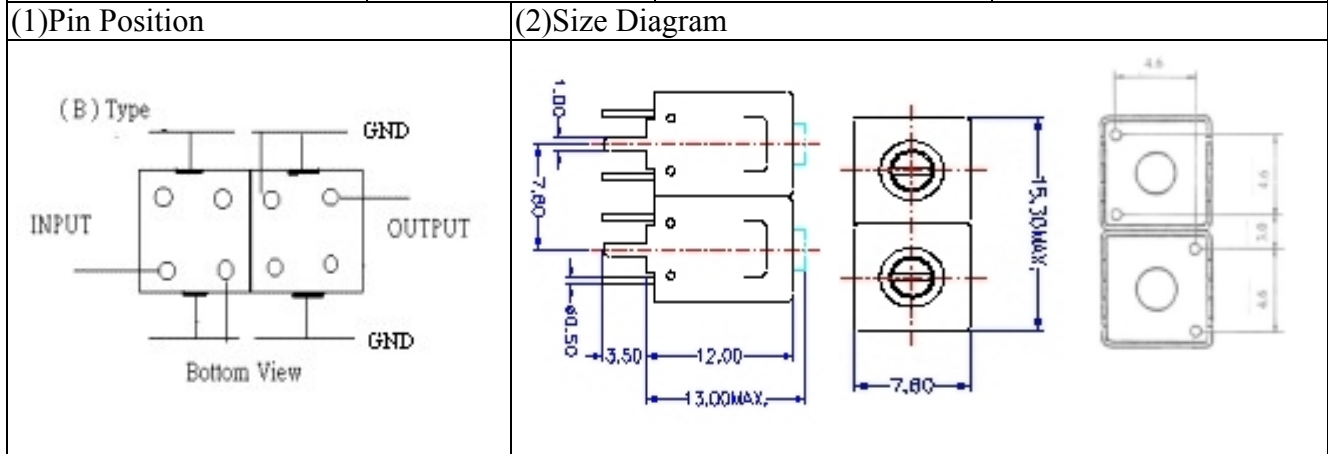
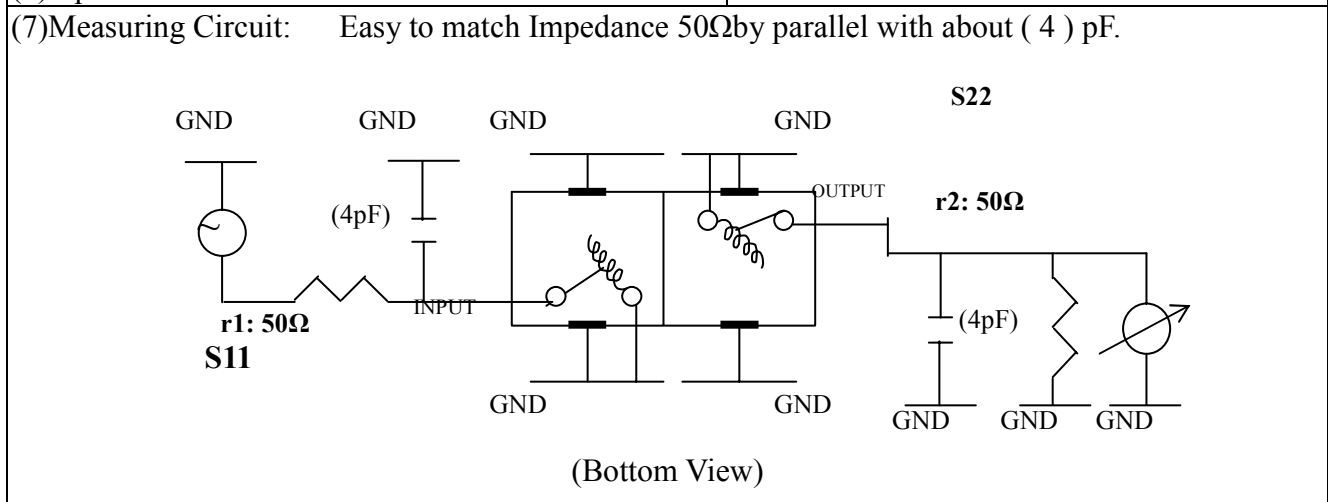


VHF UHF Helical Filter Specification Sheet

Customer Name		Temwell's Part No.	TD6702B-240M
Approval No. /dated	9904011APR	Temwell's Print Name	6702B 240M
Work Instruction No.	0608044C	Date	Sep.28.2006



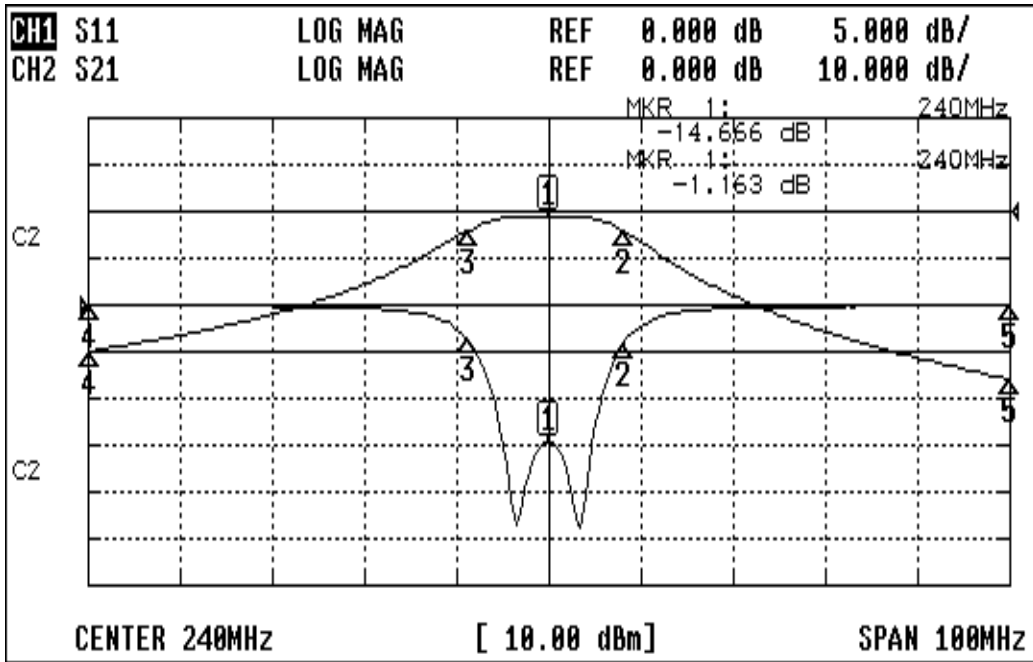
(3)Electric Character	
Item	Specify
Center Freq.(Fo) +/- 0.5 %	240 MHz
Tunable Range	240±4 MHz
Insertion Loss	Typ. 2.0 dB
-3 dB Bandwidth	Typ. 17 MHz
Sensitivity (Attenuation)	Fo - 50 MHz Typ. 21 dBc
	Fo + 50 MHz Typ. 19 dBc
	Fo - ()MHz Typ. dBc
	Fo +()MHz Typ. dBc
Return Loss	Min. 12 dB
Ripple	< 1 dB
Impedance	In / Out : 50 Ω
(4)Torque for Tuning Screw	> 100gf cm
(5)Temperature Condition:	
Operating Temperature	0 ~ +60
Storage Temperature	-20 ~ +70
(6)Input Power	> 1Watt



Approval	Supervisor	Designer	Aperture size
C.Y.Chang	C.S.Chang	J.F.Lin	7H2(4*7.5)F 7H024LB4
TEMWELL CORPORATION			

Performance-TD6702B-240M

0608044C



CH1 MARKER LIST

1	240.000MHz	-14.666 dB
2	248.166MHz	-4.101 dB
3	231.166MHz	-3.652 dB
4	190.000MHz	-0.081 dB
5	290.000MHz	-0.102 dB

CH2 MARKER LIST

1	240.000MHz	-1.162 dB
2	248.166MHz	-4.192 dB
3	231.166MHz	-4.184 dB
4	190.000MHz	-29.861 dB
5	290.000MHz	-35.791 dB