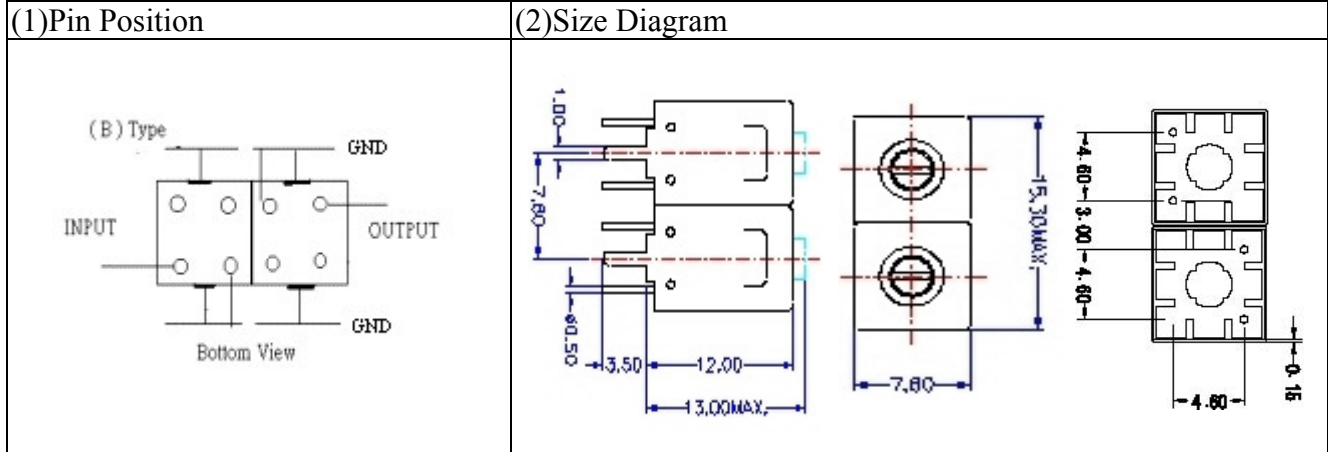
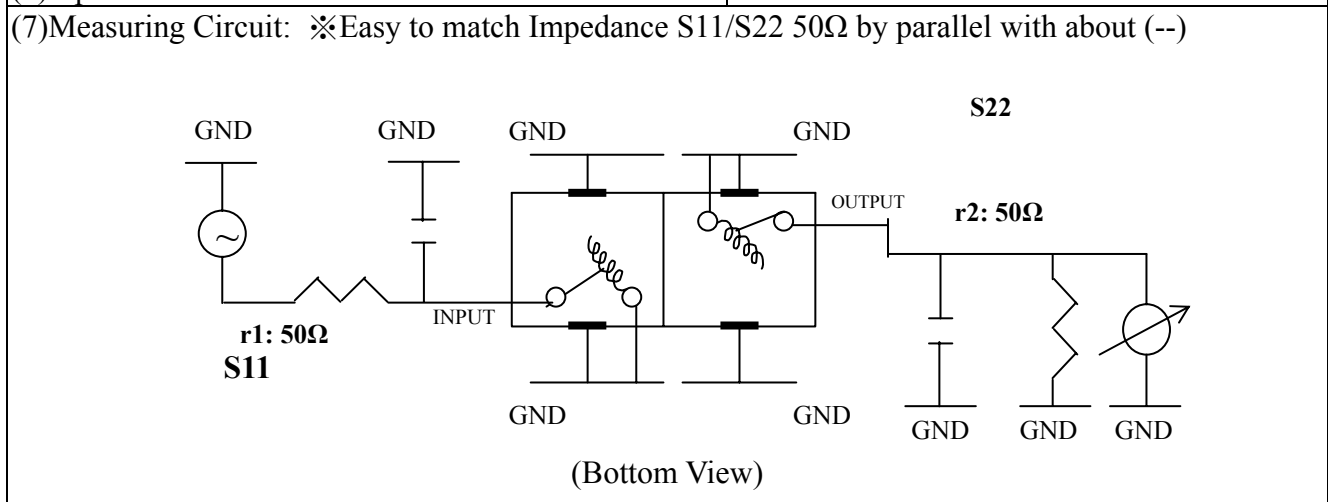


# VHF UHF Helical Filter Specification Sheet

|                      |             |                     |                  |
|----------------------|-------------|---------------------|------------------|
| Customer Name        |             | Temwell's Part No.  | TD62399B-319.5M  |
| Approval No. /dated  |             | Temwell's Part name | 62399B<br>319.5M |
| Work Instruction No. | 201308103CD | Date                | Aug.24.2013      |



| (3) Electric Charasteric                |                        |
|---|------------------------|
| Item                                    | Specify                |
| Center Freq.(Fo ) +/- 0.5 %             | 319.5 MHz              |
| Insertion Loss                          | Typ. 3.0 dB            |
| -3 dB Bandwidth                         | Typ. 10 MHz            |
| Sensitivity<br>(Attenuation )           | Fo - 40 MHz Typ. 30 dB |
|   | Fo + 40 MHz Typ. 30 dB |
|   | Fo - ( )MHz Typ. dB    |
|   | Fo +( )MHz Typ. dB     |
| Return Loss                             | Min. 12 dB             |
| Ripple                                  | < 1 dB                 |
| Impedance                               | In / Out : 50 Ω        |
| (4) Torque for Tuning Screw > 60gf · cm |                        |
| (5) Temperature Condition:              |                        |
| Operating Temperature                   | 0°C ~ +60°C            |
| Storage Temperature                     | -20°C ~ +70°C          |
| (6) Input Power > 1Watt                 |                        |



|                       |                         |                       |  |
|-----------------------|-------------------------|-----------------------|--|
| Approval<br>C.Y.Chang | Supervisor<br>C.K.Chang | Designer<br>C.S.Chang | Aperture size<br>7H2S(4*6.5)(6.58)<br>7H046LB4.3 聚 3 |
| TEMWELL CORPORATION   |                         |                       |  |

# Performance-TD62399B-319.5M

## 201308103CD

