
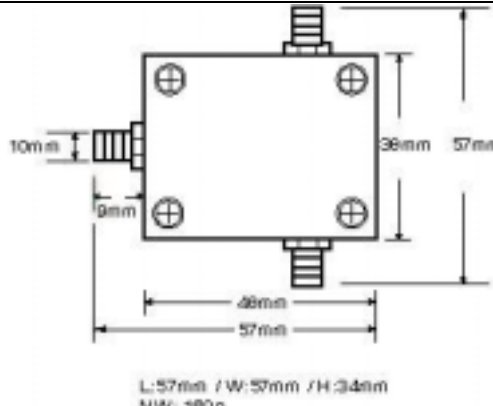


TEMWELL Power Splitter Specification Sheet

Customer Name		Temwell's Part No.	PO2L-0.4G~1.0G-F
Approval No. /dated	0706073APR	Temwell's Print Name	
Work Instruction No.	0706073DC	Date	July/09/2007

<p>(1)Dimension</p> 	<p>(2)Size Diagram</p>  <p style="text-align: center;">L: 57mm / W: 57mm / H: 36mm NW: 180g</p>
---	---

(3)Electric Character			
Item	Specify	Performance	
Frequency Range	0.4~1.0 GHz	0.4~1.0 GHz	
Insertion Loss S21	Typ. 0.5 dB	0.48 dB	
Insertion Loss S31	Typ. 0.5 dB	0.51 dB	
Amplitude Balance	Typ. 0.1 dB	0.03 dB	
Phase Balance (Deg)	Max.		
VSWR	Max.		
Power (watts)	Max.		
Return Loss output 1 (S11)	Min. 12 dB	12.4 dB	
Return Loss output 2 (S22)	Min. 12 dB	15.9 dB	
Return Loss output 3 (S33)	Min. 12 dB	16.1 dB	
Isolation S23	Min. 20 dB	21.4 dB	
Connector type			
(4)Impedance all port	In / Out : 75 Ω	In / Out : 75 Ω	
(5)Input Power	> 30 Watt		
(6)Temperature Condition:			
Operating Temperature	-30 ~ +70		
Storage Temperature	-30 ~ +80		
Approval	Supervisor	Designer	Aperture size
C.Y.Chang	C.S.Chang	P.H.Chiang	

TEMWELL CORPORATION

TEMWELL

Band pass power splitter- Vision A RP (P.H)

文件[289] Band pass Power splitter_F 空白 spec

TEMWELL Power Splitter Performance

