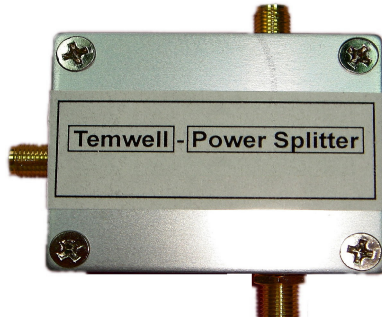
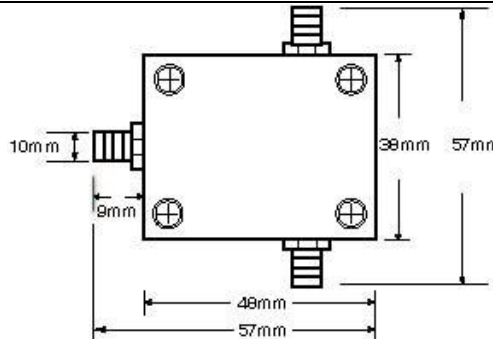


# TEMWELL Power Splitter Specification Sheet

|                      |             |                      |                    |
|----------------------|-------------|----------------------|--------------------|
| Customer Name        |             | Temwell's Part No.   | P02S-2.4G~2.6G-SMA |
| Approval No. /dated  | 201211076CD | Temwell's Print Name | 2.4G~2.6G          |
| Work Instruction No. | 201211076CD | Date                 | Dec.05.2012        |

|   |  |
|---|--|
| <p>(1)Dimension</p>  | <p>(2)Size Diagram</p>  <p style="text-align: center;">L:57mm / W:57mm / H:34mm<br/>NW: 180g</p> |
|---|--|

|                           |                                 |                 |                 |             |
|---------------------------|---------------------------------|-----------------|-----------------|-------------|
| (3)Electric Character     |                                 |                 |                 |             |
|                           | Item                            | Specify         | Coupling Loss   | Performance |
|                           | Frequency Range (MHz)           | 2.4G~2.6G       | -               | 2.4G~2.6G   |
|                           | Insertion Loss S21 (dB)         | Max. 1.0 dB     | 3               | 0.62 dB     |
|                           | Insertion Loss S31 (dB)         | Max. 1.0 dB     | 3               | 0.57 dB     |
|                           | Return Loss output 1 (S11) (dB) | Min. 12 dB      | -               | 19.8 dB     |
|                           | Return Loss output 2 (S22) (dB) | Min. 12 dB      | -               | 14.7 dB     |
|                           | Return Loss output 3 (S33) (dB) | Min. 12 dB      | -               | 16.2 dB     |
|                           | Isolation S23 (dB)              | Min. 20 dB      | -               | 24.7 dB     |
|                           | Phase Balance (Deg)             | Max.            | -               |             |
|                           | VSWR                            | Max.            | -               |             |
| (4)Impedance all port     |                                 | In / Out : 50 Ω | In / Out : 50 Ω |             |
| (5)Input Power            |                                 | > 30 Watt       |                 |             |
| (6)Temperature Condition: |                                 |                 |                 |             |
| Operating Temperature     |                                 | -30°C ~ +70°C   |                 |             |
| Storage Temperature       |                                 | -30°C ~ +80°C   |                 |             |
| Approval                  | Supervisor                      | Designer        | Connector type  |             |
| C.Y.Chang                 | C.K.Chang                       | Chang.Peter     | SMA type        |             |
| TEMWELL CORPORATION       |                                 |                 |                 |             |

# TEMWELL Power Splitter Performance

