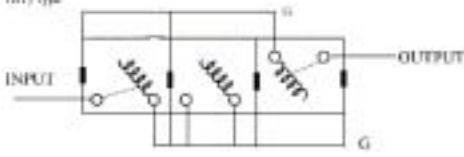
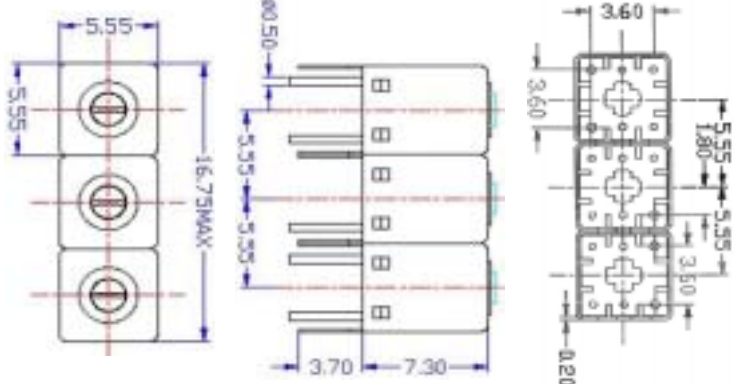
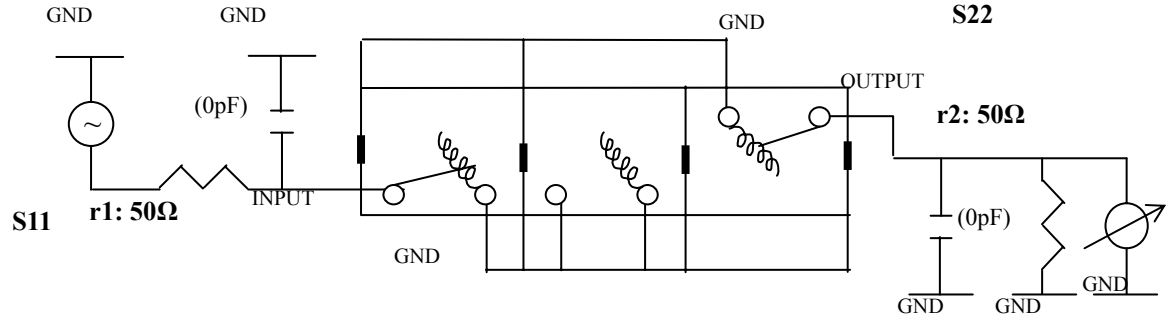


# VHF UHF Helical Filter Specification Sheet

Customer Name		Temwell's Part No.	K3RBT-1055M-20M
Approval No. /dated	0909077CD	Temwell,s print name	K3RBT 1055M
Work Instruction No.	200909077CD	Date	Dec.02.2009

(1)Pin Position	(2)Size Diagram
 <p>(Bottom View)</p>	

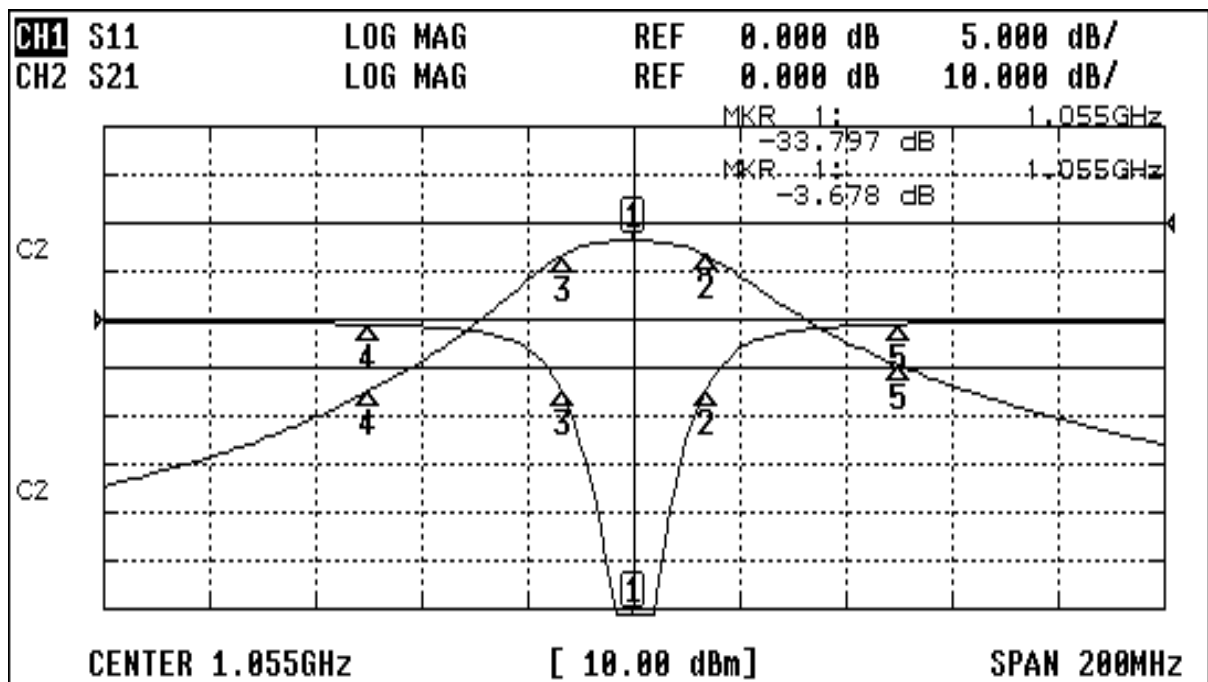
(3)Electric Charasteric	
Item	Specify
Center Freq.(Fo ) +/- 0.5 %	1055 MHz
Insertion Loss	Typ. 5.0 dB
-3 dB Bandwidth	Typ. 20 MHz
Sensitivity (Attenuation )	Fo - 50 MHz Typ. 18 dBc
	Fo + 50 MHz Typ. 14 dBc
	Fo - ( )MHz Typ. dBc
	Fo +( )MHz Typ. dBc
Return Loss	Min. 12 dB
Ripple	< 1 dB
Impedance	In / Out : 50 Ω
(4)Torque for Tuning Screw	> 60gf cm
(5)Temperature Condition:	
Operating Temperature	0 ~ +60
Storage Temperature	-20 ~ +70
(6)Input Power	> 1Watt

(7)Measuring Circuit: Easy to match Impedance S11/S22 50Ω by parallel with about(0pF) / (0pF).
 <p>(Bottom View)</p>

Approval	Supervisor	Designer	Aperture size
C.Y.Chang	C.K.Chang	W.W.Wang	5R3S(3.8*3.7)(3.77) 5HW024RB3
TEMWELL CORPORATION			

# Performance-K3RBT-1055M-20M

## 200909077CD



CH1 MARKER LIST			
1	1.055	000GHZ	-33.839 dB
2	1.068	833GHZ	-7.160 dB
3	1.041	470GHZ	-7.422 dB
4	1.005	000GHZ	-0.519 dB
5	1.105	000GHZ	-0.463 dB

CH2 MARKER LIST			
1	1.055	000GHZ	-3.678 dB
2	1.068	833GHZ	-6.672 dB
3	1.041	470GHZ	-6.661 dB
4	1.005	000GHZ	-34.950 dB
5	1.105	000GHZ	-29.520 dB