

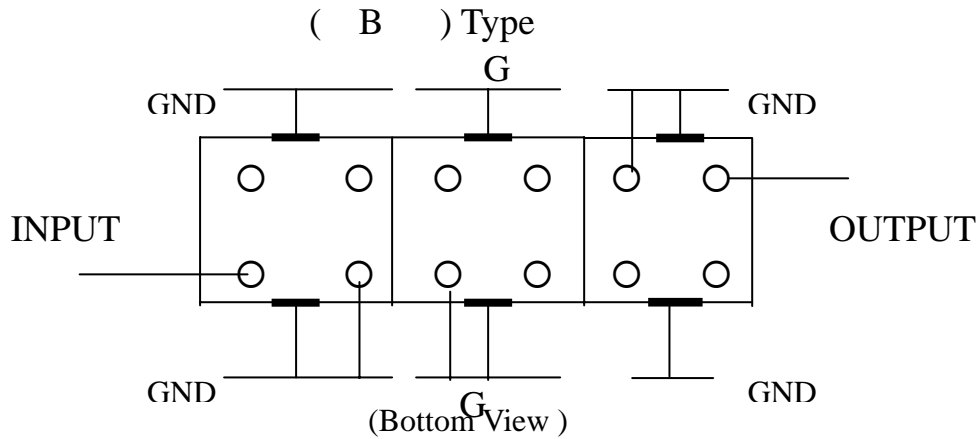


Customized UHF SHF Filter & Miniature Duplexer

VHF UHF Helical Filter Specification Sheet

Customer Name		Temwell's Part No.	K3B-380M-10M
Approval No. /dated	20402003DC	Customer's Part No.	
Work Instruction No.	20402003DC	Date	Feb.06.2004
<input type="checkbox"/> Buyer Print name		<input type="checkbox"/> Temwell,s print name	
Case Name	7H3	Case size : (mm)	
Terminator Type	B		

* Pin Position (Pin Connection) diagram as following



(3) Electric Character

Item	Specify	
Center Freq.(Fo) +/- 0.5 %	380	MHz
Tuning Range	380±10	MHz
Insertion Loss	Typ. 3.0	dB
-3 dB Bandwidth	Typ. 10	MHz
Sensitivity (Attenuation)	Fo -(50) MHz	Typ. 55 dB
	Fo +(50) MHz	Typ. 43 dB
	Fo - ()MHz	Typ. dB
	Fo +()MHz	Typ. dB
Return Loss	Min. 12	dB
Ripple	< 1	dB
Impedance	In / Out : 50 Ω	

4. Temperature Condition:

Operating Temperature	0 ~ +60
Storage Temperature	-20 ~ +70

Approval	Supervisor	Designer	Aperture size
C.Y.Chang	C.S.Chang	C.S.Chang	7H3,4*6.5(4*6.54) 7H046LB4 聚 3

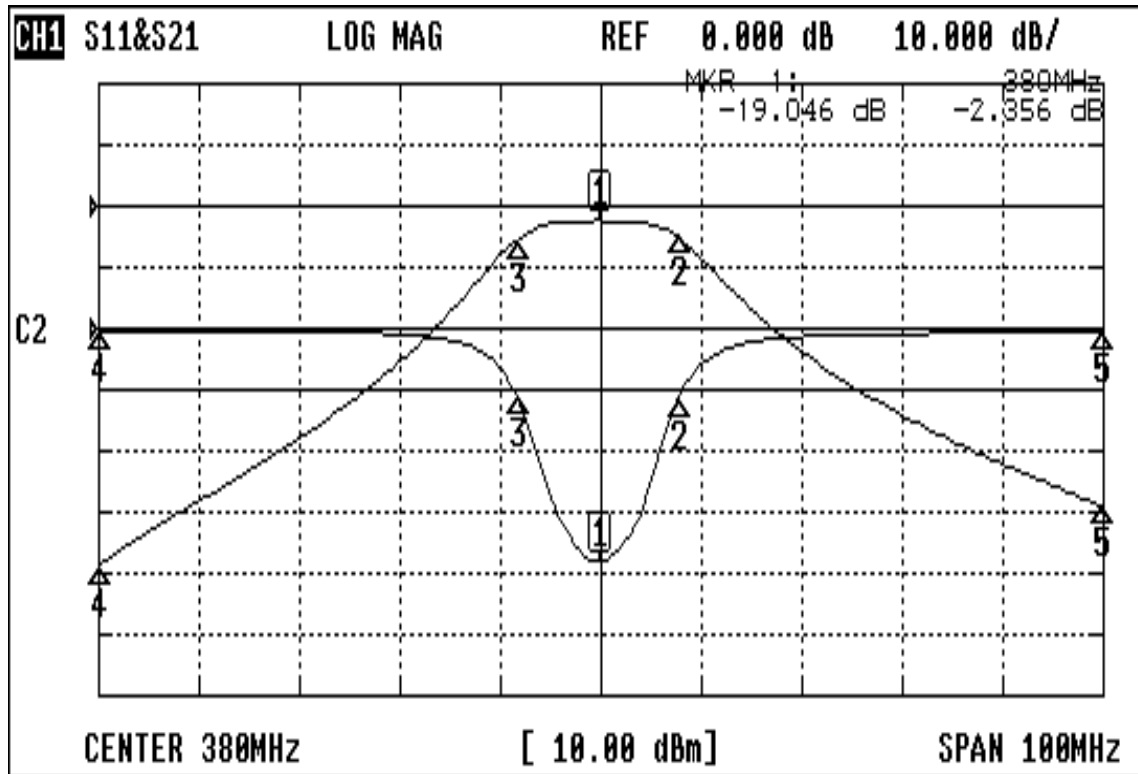
TEMWELL CORPORATION

TEMWELL

Form11-7H3B Vession C

Performance-K3B-380M-10M

20402003DC



CH1 MARKER LIST

1:	380.000MHz	-19.046 dB	-2.356 dB
2:	387.833MHz	-5.681 dB	-5.320 dB
3:	371.750MHz	-5.675 dB	-5.371 dB
4:	330.000MHz	-0.174 dB	-58.295 dB
5:	430.000MHz	-0.248 dB	-49.085 dB