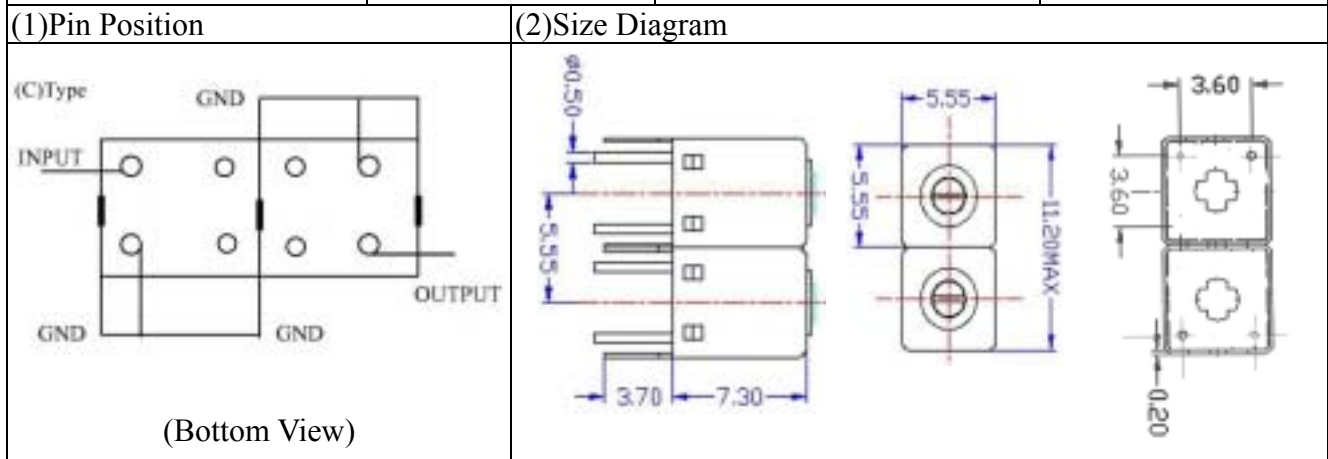
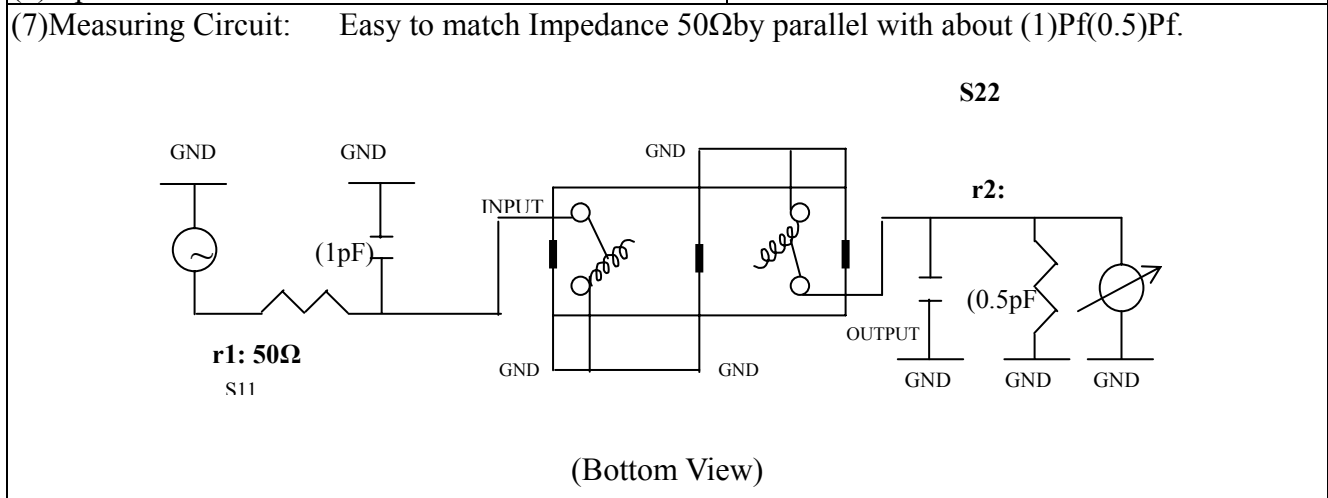


VHF UHF Helical Filter Specification Sheet

Customer Name		Temwell's Part No.	K2RC-1195M-35M
Approval No. /dated	20402135DC	Customer's Part No.	
Work Instruction No.	20402135DC	Date	Mar.17.2004



Item		Specify	
Center Freq.(Fo) +/- 0.5 %		1195	MHz
Tunable Range: Fo±5MHz Fo±10MHz Fo±15MHz		1195±10	MHz
Insertion Loss		Typ	3.5 dB
-3 dB Bandwidth		Typ	35 MHz
Sensitivity (Attenuation)	Fo - 100 MHz	Typ.	20 dB
	Fo + 100 MHz	Typ.	20 dB
	Fo - ()MHz	Typ.	dBc
	Fo +()MHz	Typ.	dBc
Return Loss		Min.	12 dB
Ripple		< 1 dB	
Impedance		In / Out : 50 Ω	
(4)Torque for Tuning Screw		> 60gf cm	
(5)Temperature Condition:			
Operating Temperature		0 ~ +60	
Storage Temperature		-20 ~ +70	
(6)Input Power		> 1Watt	

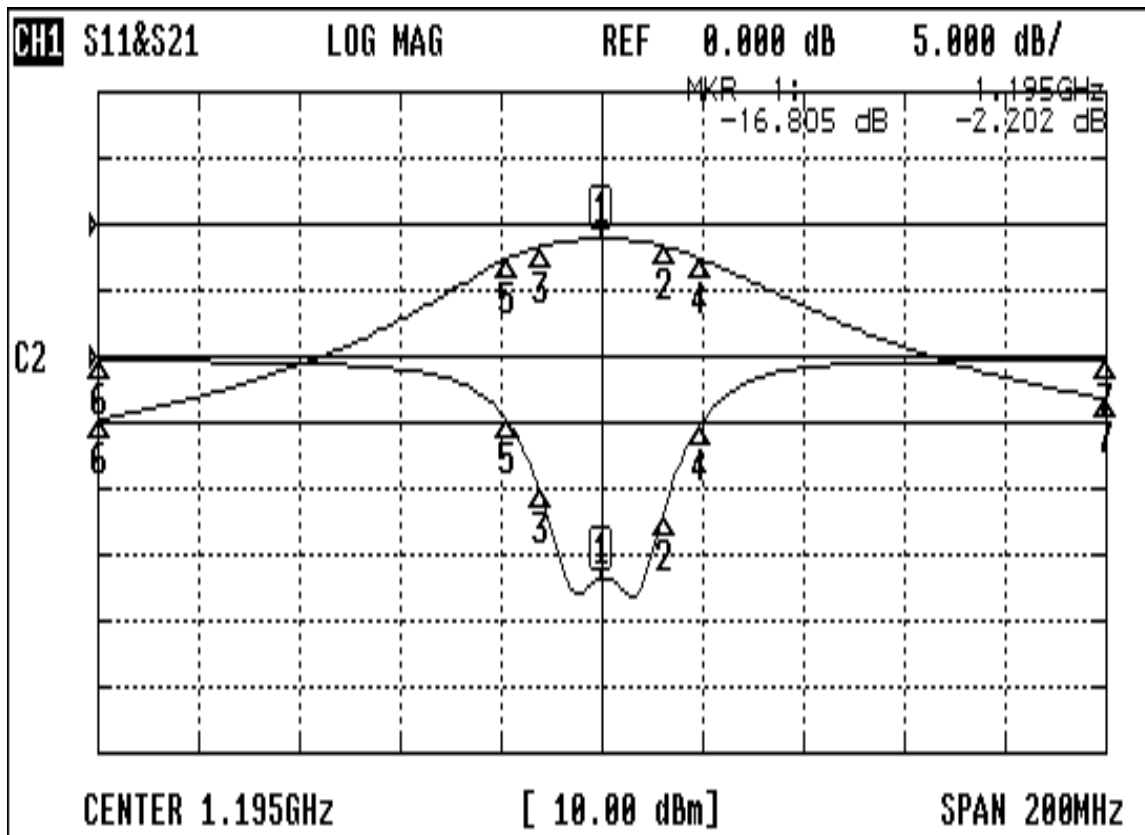


Approval C.Y. CHANG	Supervisor C.S.Chang	Designer Enlan	Aperture size 5R2(3.8*4.0)(4.21) 5HW024RB3
------------------------	-------------------------	-------------------	--

TEMWELL CORPORATION

Performance-K2RC-1195M-35M

20402135DC



CH1 MARKER LIST

1:	1.195 000GHz	-16.805 dB	-2.202 dB
2:	1.207 333GHz	-11.865 dB	-3.284 dB
3:	1.182 833GHz	-10.140 dB	-3.275 dB
4:	1.214 666GHz	-5.120 dB	-5.227 dB
5:	1.176 000GHz	-4.659 dB	-5.257 dB
6:	1.095 000GHz	-0.313 dB	-29.656 dB
7:	1.295 000GHz	-0.361 dB	-26.345 dB
8:			
9:			
10:			