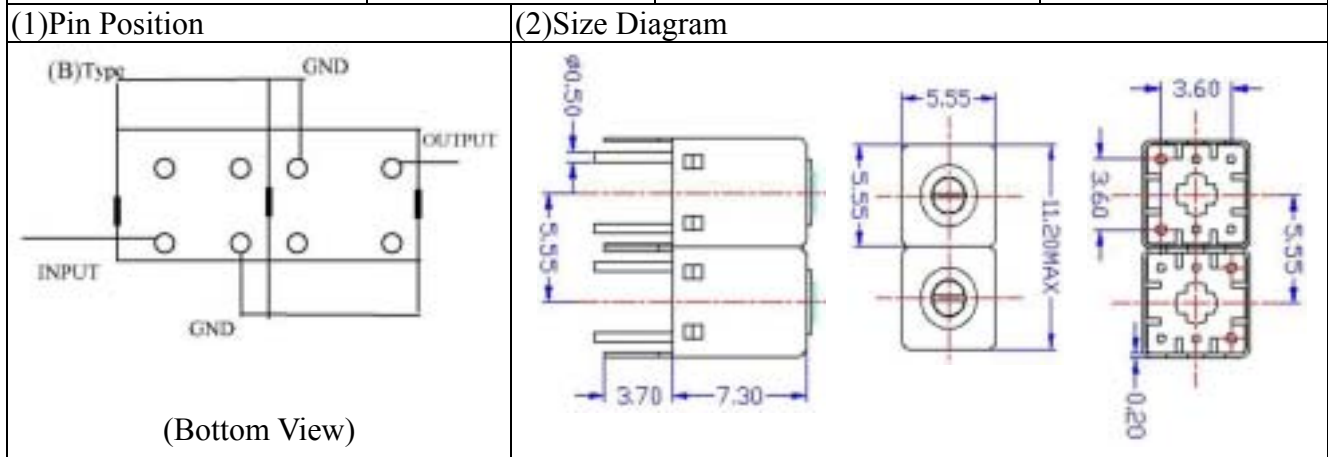


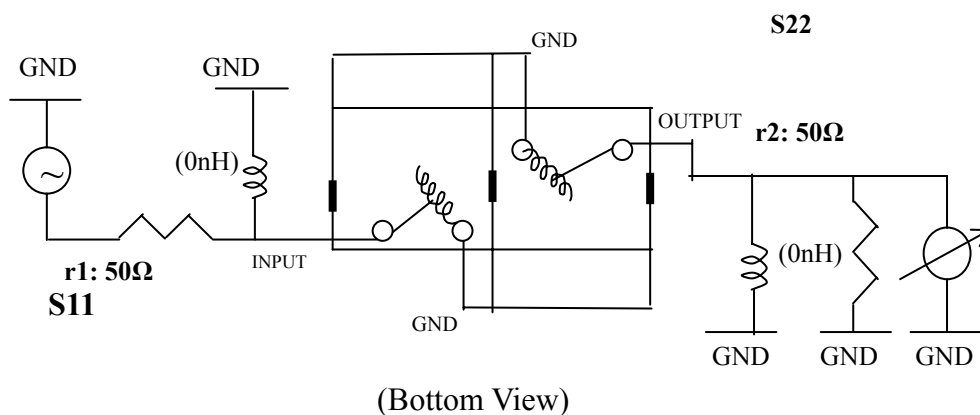
VHF UHF Helical Filter Specification Sheet

Customer Name		Temwell's Part No.	K2RB-820M-20M
Approval No. /dated	0904130CD	Temwell's print name.	K2RB 820M
Work Instruction No.	200904130CD	Date	Jun.03.2009



(3)Electric Charasteric		Item	Specify
		Center Freq.(Fo) +/- 0.5 %	820 MHz
		Insertion Loss	Typ. 3.0 dB
		-3 dB Bandwidth	Typ. 20 MHz
Sensitivity (Attenuation)	Fo - 100 MHz	Typ. 36	dBc
	Fo + 100 MHz	Typ. 27	dBc
	Fo - ()MHz	Typ.	dBc
	Fo +()MHz	Typ.	dBc
		Return Loss	Min. 12 dB
		Ripple	< 1 dB
		Impedance	In / Out : 50 Ω
(4)Torque for Tuning Screw			> 60gf cm
(5)Temperature Condition:			
Operating Temperature			0 ~ +60
Storage Temperature			-20 ~ +70
(6)Input Power			> 0.5Watt

(7)Measuring Circuit: Easy to match Impedance S11/S22 50Ω by parallel with about (0nH)/(0nH).



Approval	Supervisor	Designer	Aperture size
C.Y.Chang	C.K.Chang	J.F.Lin	5R2(3.8*3.7)(3.71) 5HW024RB3

TEMWELL CORPORATION

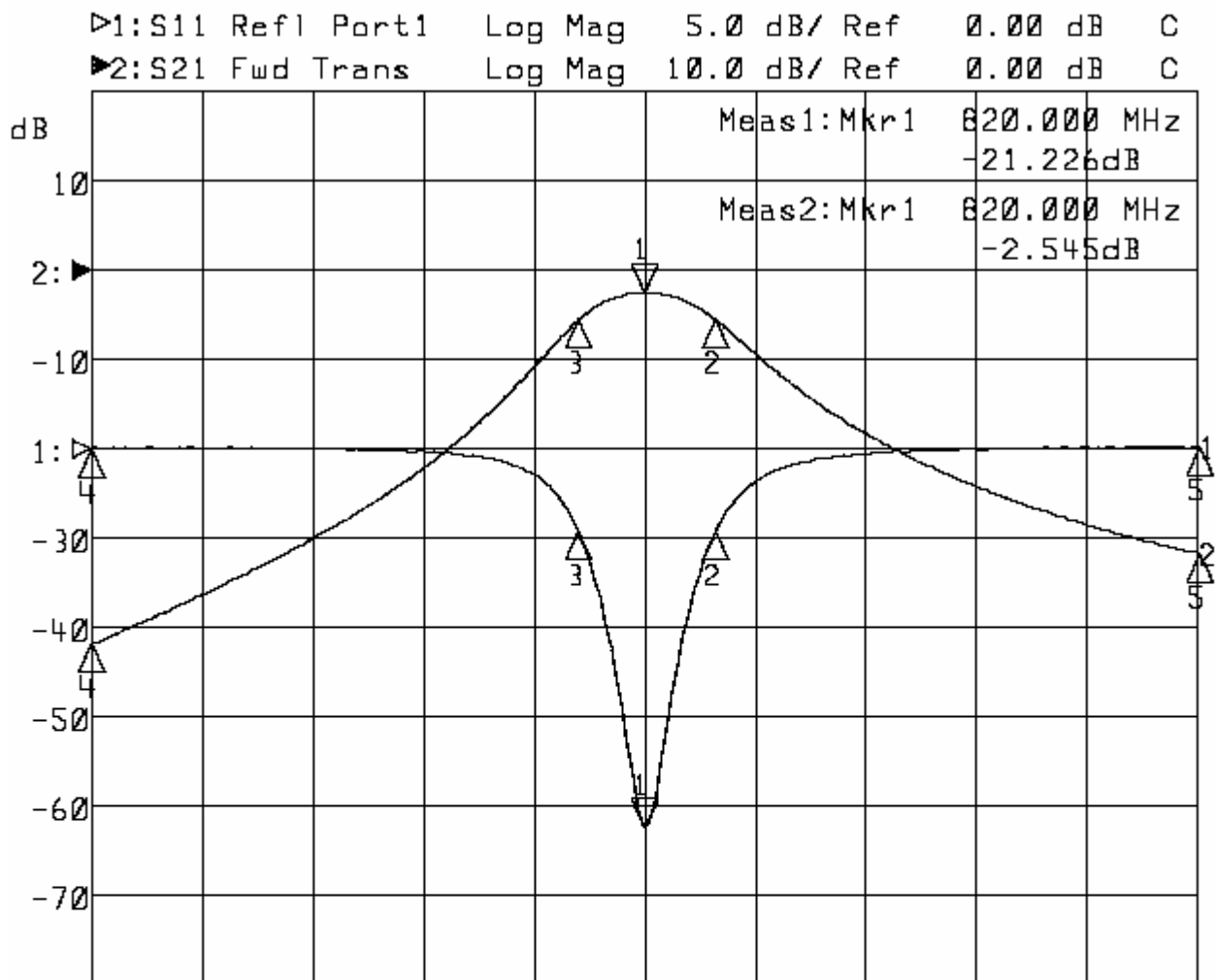
TEMWELL

Form10-5R2B Vision D

RP(J.F.Lin)

Performance-K2RB-820M-20M

200904130CD



Center 820.000 MHz

Span 200.000 MHz

1: Mkr (MHz)	dB	2: Mkr (MHz)	dB
1> 820.0000	-21.226	1> 820.0000	-2.545
2: 832.9333	-4.603	2: 832.9333	-5.544
3: 808.1333	-4.632	3: 808.1333	-5.553
4: 720.0000	0.053	4: 720.0000	-41.870
5: 920.0000	0.177	5: 920.0000	-31.632