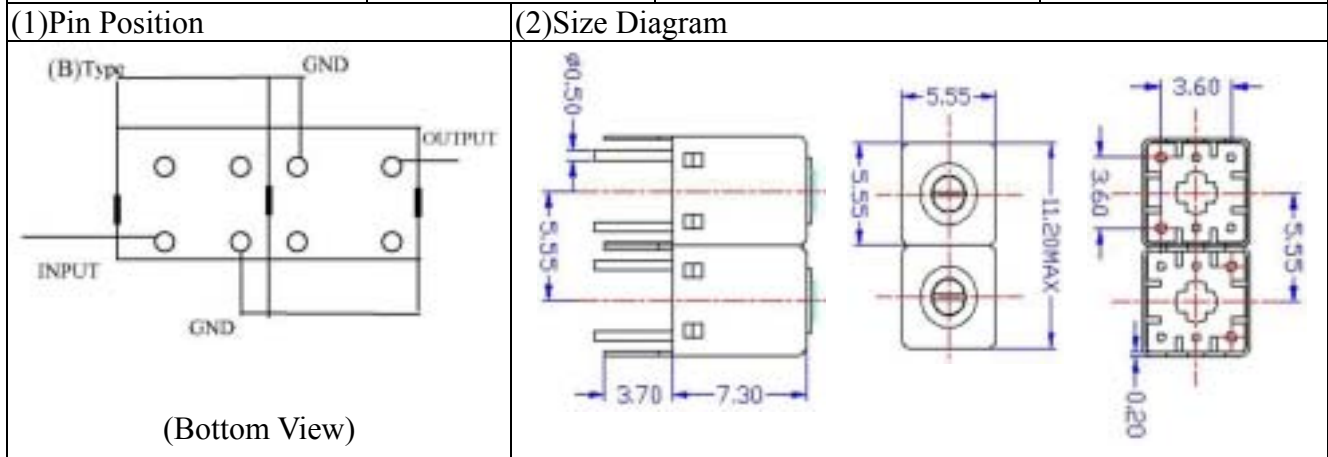


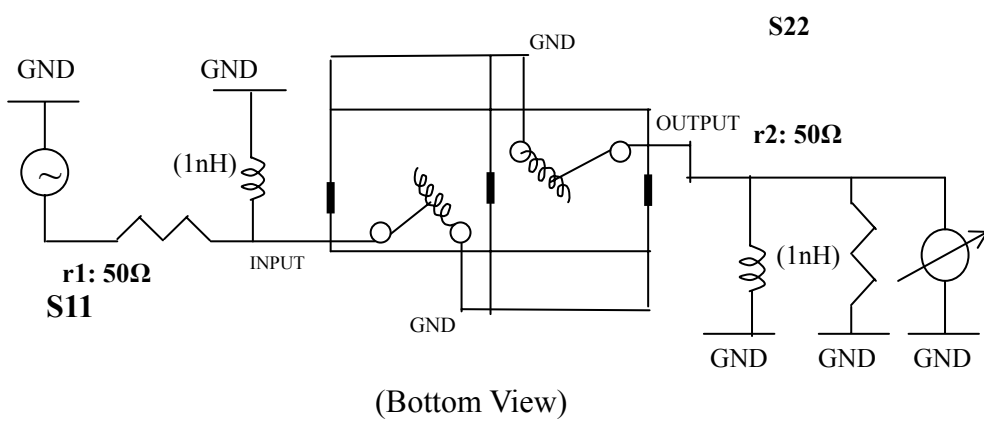
VHF UHF Helical Filter Specification Sheet

Customer Name		Temwell's Part No.	K2RB-735M-20M
Approval No. /dated	20407012DC	Customer's Part No.	
Work Instruction No.	20407012DC	Date	Jul.12.2004



(3) Electric Characteristic		Item	Specify
Center Freq.(Fo) +/- 0.5 %			735 MHz
Tunable Range: <input checked="" type="checkbox"/> Fo±5MHz Fo±10MHz Fo±15MHz			735±5 MHz
Insertion Loss		Typ.	3.0 dB
-3 dB Bandwidth		Typ.	20 MHz
Sensitivity (Attenuation)	Fo - 100 MHz	Typ.	40 dBc
	Fo +100 MHz	Typ.	30 dBc
	Fo - ()MHz	Typ.	dBc
	Fo +()MHz	Typ.	dBc
Return Loss		Min.	12 dB
Ripple			< 1 dB
Impedance			In / Out : 50 Ω
(4) Torque for Tuning Screw			> 60gf cm
(5) Temperature Condition:			
Operating Temperature			0 ~ +60
Storage Temperature			-20 ~ +70
(6) Input Power			> 1Watt

(7) Measuring Circuit: Easy to match Impedance 50Ω by parallel with about (1) nH.

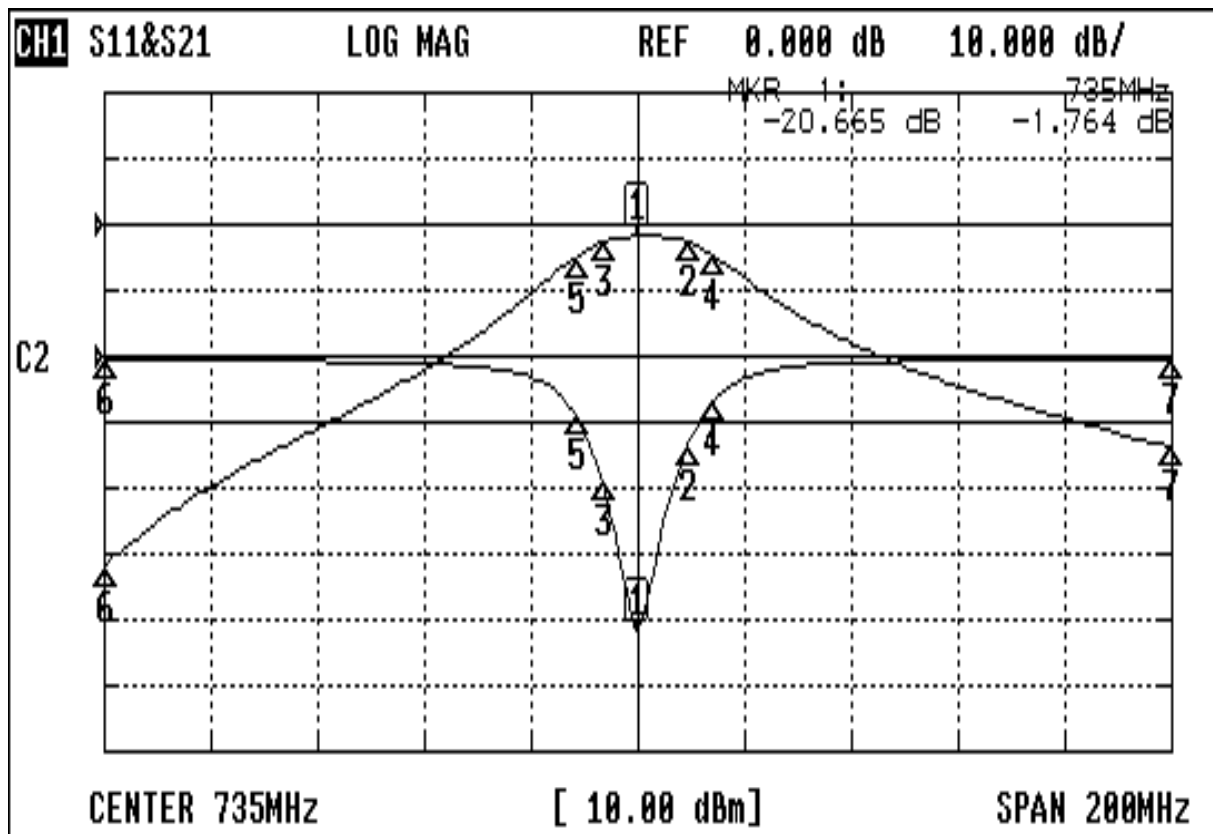


Approval	Supervisor	Designer	Aperture size
C. Y. CHANG	C.S.Chang	W.W.Wang	5R2(3.8*3.7)(3.76) 5HW024RB3

TEMWELL CORPORATION

Performance- K2RB-735M-20M

20407012DC



CH1 MARKER LIST

1:	735.000MHz	-20.665 dB	-1.764 dB
2:	744.500MHz	-6.806 dB	-2.728 dB
3:	728.500MHz	-9.538 dB	-2.718 dB
4:	749.333MHz	-3.390 dB	-4.770 dB
5:	723.666MHz	-4.566 dB	-4.763 dB
6:	635.000MHz	-0.293 dB	-52.320 dB
7:	835.000MHz	-0.313 dB	-33.910 dB
8:			
9:			
10:			