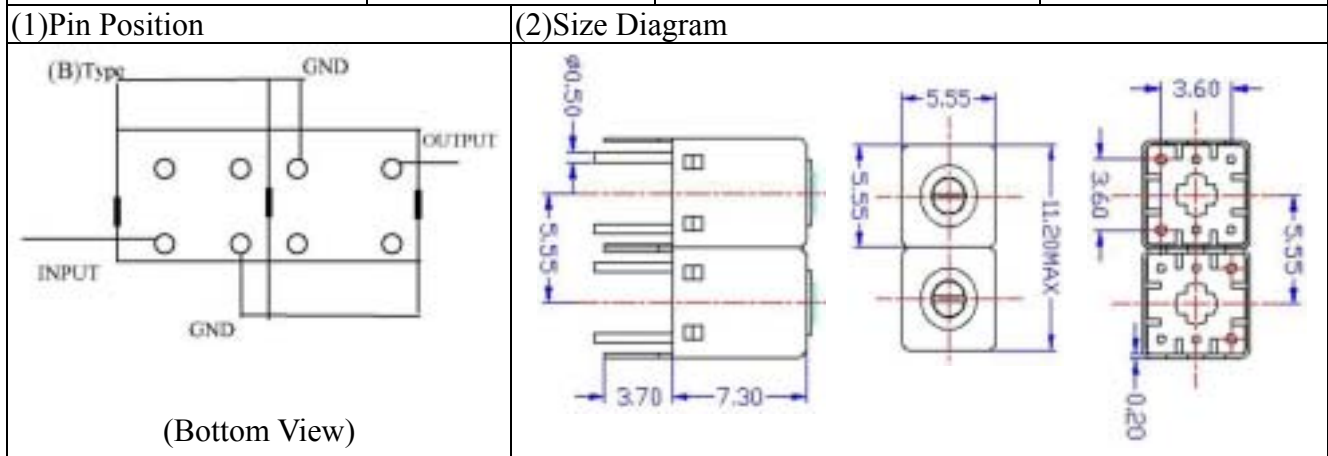
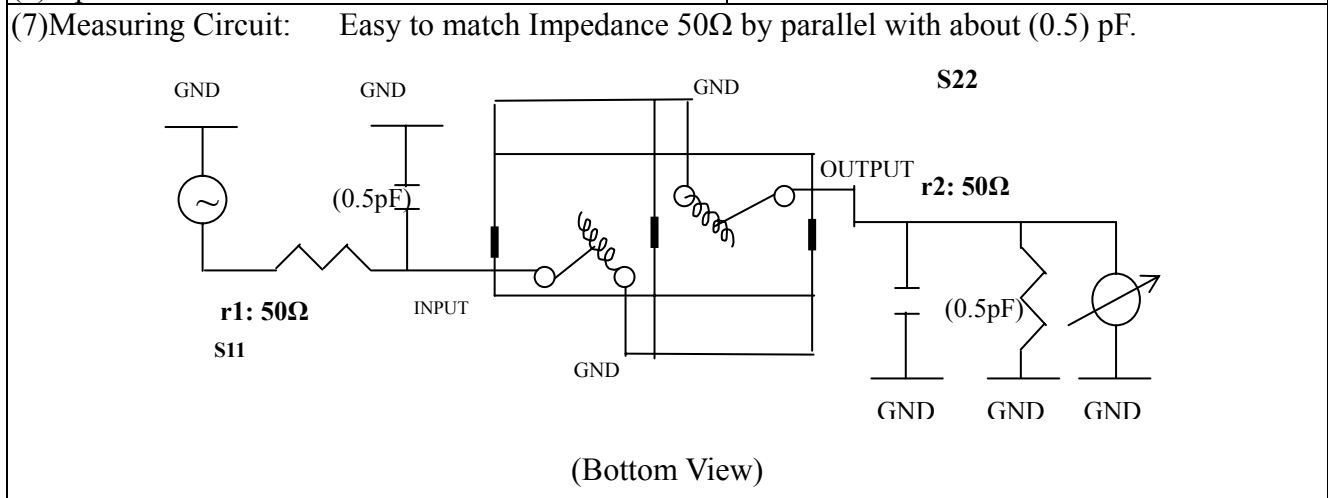


VHF UHF Helical Filter Specification Sheet

Customer Name		Temwell's Part No.	K2RB-700M-20M
Approval No. /dated	20407011DC	Customer's Part No.	
Work Instruction No.	20407011DC	Date	Jul.12.2004



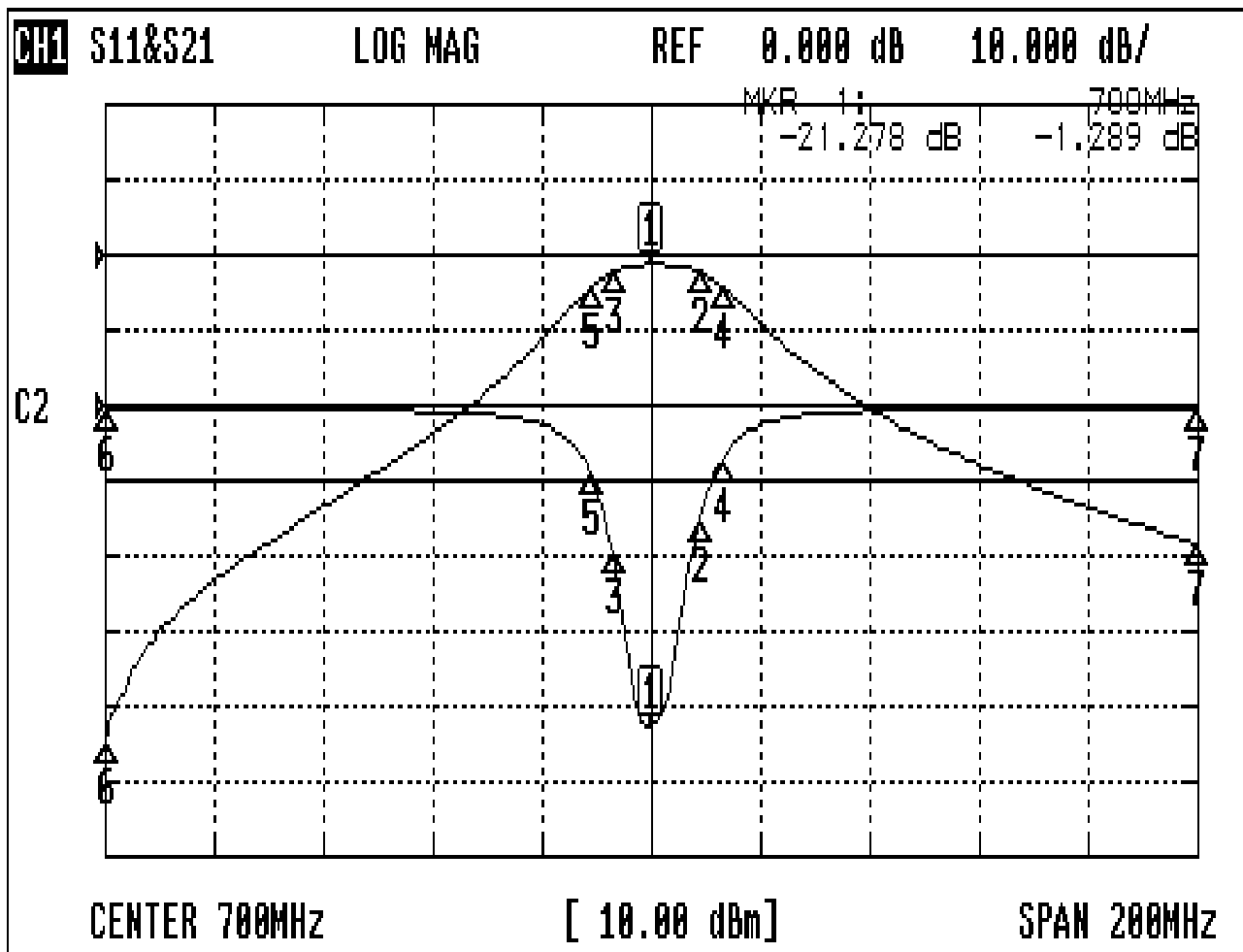
(3)Electric Charasteric		Item	Specify
Center Freq.(Fo) +/- 0.5 %			700 MHz
Tunable Range: <input checked="" type="checkbox"/> Fo±5MHz Fo±10MHz Fo±15MHz			700±5 MHz
Insertion Loss		Typ..	3.0 dB
-3 dB Bandwidth		Typ.	20 MHz
Sensitivity (Attenuation)	Fo - 100 MHz	Typ.	50 dBc
	Fo + 100 MHz	Typ.	30 dBc
	Fo - ()MHz	Typ.	dBc
	Fo +()MHz	Typ.	dBc
Return Loss		Min.	12 dB
Ripple			< 1 dB
Impedance			In / Out : 50 Ω
(4)Torque for Tuning Screw			> 60gf cm
(5)Temperature Condition:			
Operating Temperature			0 ~ +60
Storage Temperature			20 ~ +70
(6)Input Power			> 1Watt



Approval C. Y. CHANG	Supervisor C.S.Chang	Designer W.W.Wang	Aperture size 5R2(3.8*3.7)(3.74) 5HW024RB3
TEMWELL CORPORATION			

Performance- K2RB-700M-20M

20407011DC



CH1 MARKER LIST

1:	700.000MHz	-21.278 dB	-1.289 dB
2:	709.166MHz	-7.299 dB	-2.280 dB
3:	693.000MHz	-9.793 dB	-2.254 dB
4:	713.333MHz	-3.428 dB	-4.288 dB
5:	689.166MHz	-4.710 dB	-4.232 dB
6:	600.000MHz	-0.234 dB	-65.644 dB
7:	800.000MHz	-0.266 dB	-38.469 dB
8:			
9:			
10:			