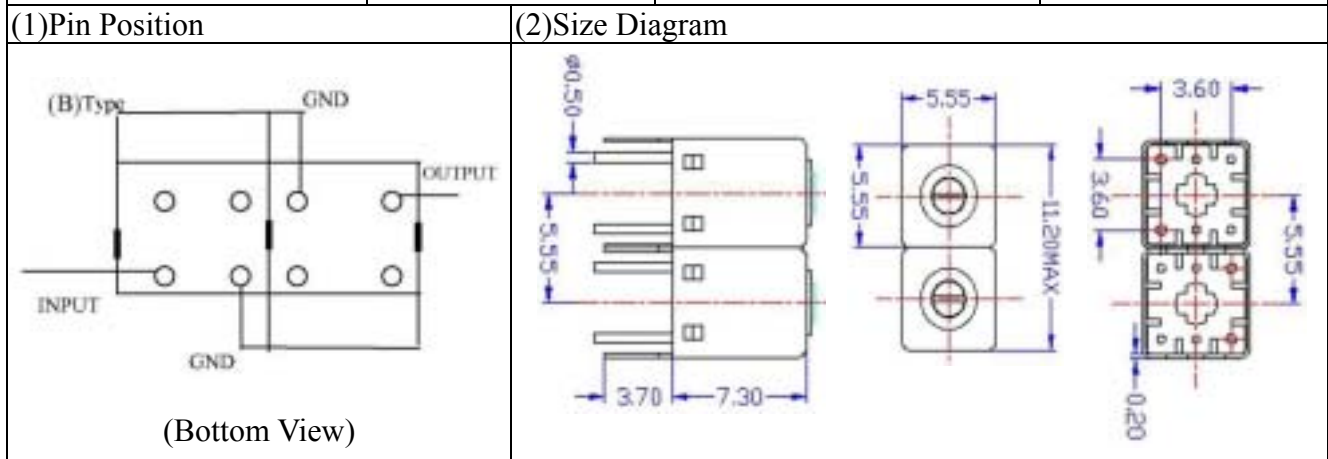


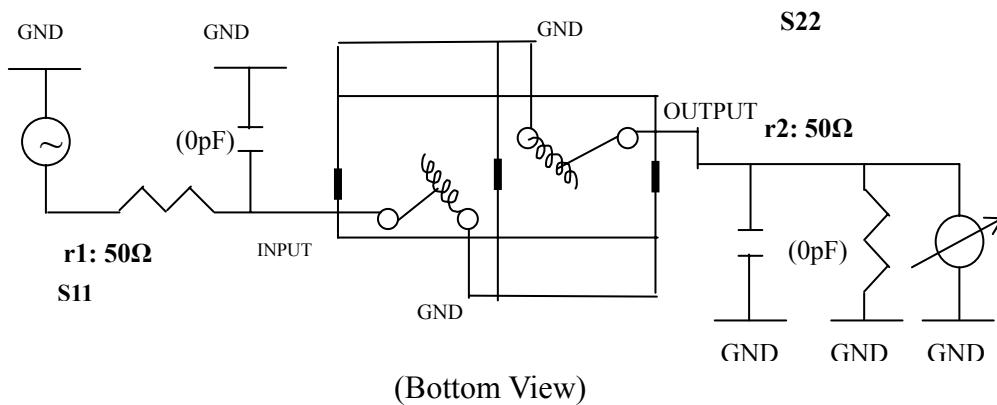
VHF UHF Helical Filter Specification Sheet

Customer Name		Temwell's Part No.	K2RB-505M-14M
Approval No. /dated	20402127DC	Customer's Part No.	
Work Instruction No.	20402127DC	Date	Mar.04.2004



(3) Electric Characteristic		Item	Specify
Center Freq.(Fo) +/- 0.5 %			505 MHz
Tunable Range: <input checked="" type="checkbox"/> Fo±5MHz Fo±10MHz Fo±15MHz			505±5 MHz
Insertion Loss		Typ.	3.5 dB
-3 dB Bandwidth		Typ.	14 MHz
Sensitivity (Attenuation)	Fo - 50 MHz	Typ.	20 dB
	Fo + 50 MHz	Typ.	25 dB
	Fo - ()MHz	Typ.	dB
	Fo +()MHz	Typ.	dB
Return Loss		Min.	12 dB
Ripple			< 1 dB
Impedance			In / Out : 50 Ω
(4) Torque for Tuning Screw			> 60gf cm
(5) Temperature Condition:			
Operating Temperature			0 ~ +60
Storage Temperature			20 ~ +70
(6) Input Power			> 1Watt

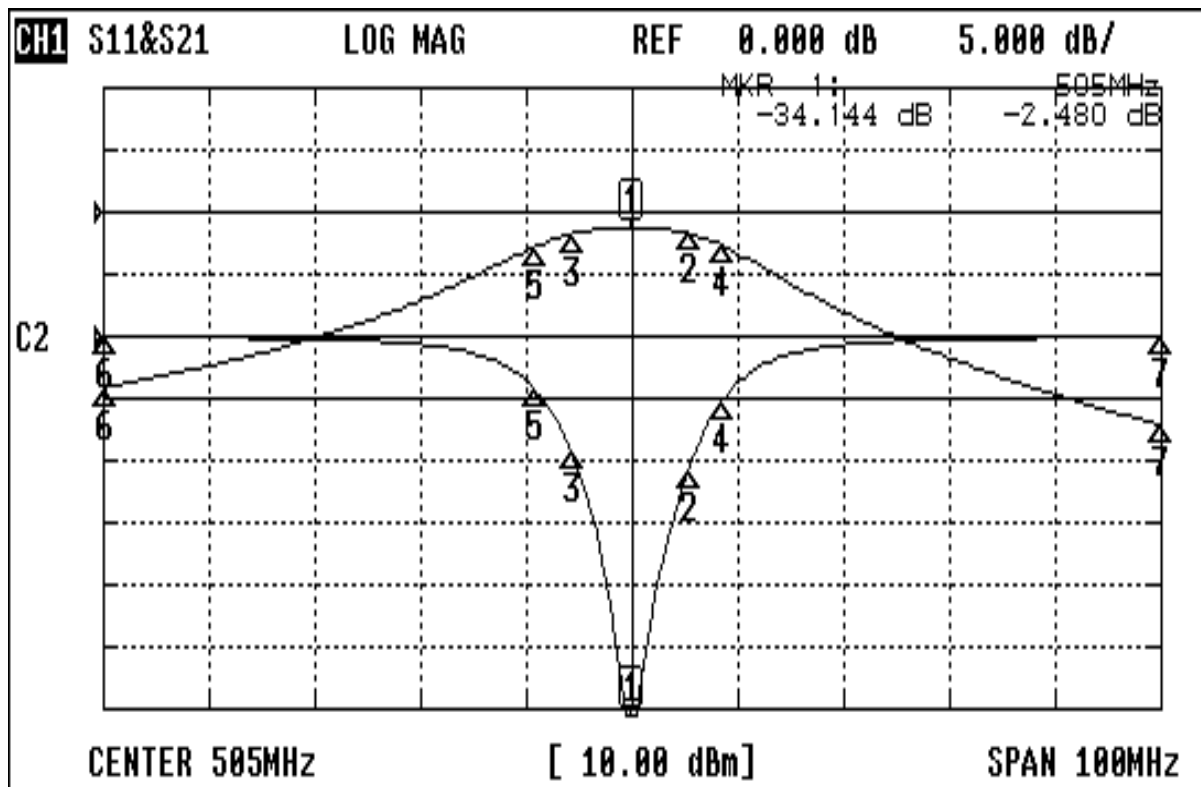
(7) Measuring Circuit: Easy to match Impedance 50Ω by parallel with about (0) pF.



Approval	Supervisor	Designer	Aperture size
C. Y. CHANG	C.S.Chang	Enlan	5R2(3*3.5)(3*3.66) 5HW024LB3
TEMWELL CORPORATION			

Performance- K2RB-505M-14M

20402127DC



CH1 MARKER LIST

1:	505.000MHz	-34.144 dB	-2.480 dB
2:	510.416MHz	-10.718 dB	-3.473 dB
3:	499.333MHz	-9.272 dB	-3.465 dB
4:	513.583MHz	-5.198 dB	-5.435 dB
5:	495.916MHz	-4.296 dB	-5.490 dB
6:	455.000MHz	-0.052 dB	-28.210 dB
7:	555.000MHz	-0.066 dB	-34.267 dB
8:			
9:			
10:			