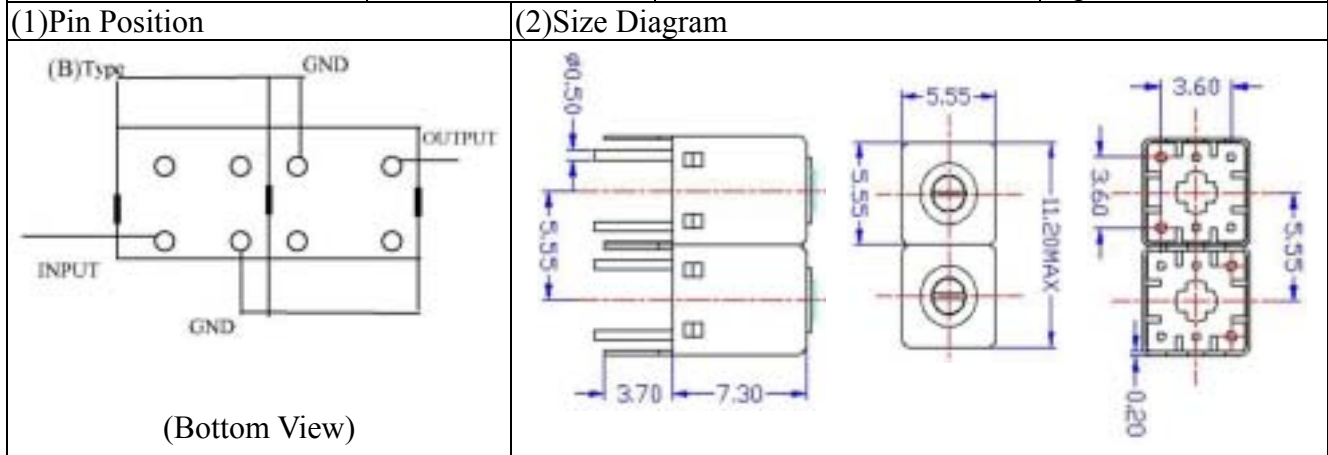


VHF UHF Helical Filter Specification Sheet

Customer Name		Temwell's Part No.	K2RB-340M-10M
Approval No. /dated	0908114CD	Temwell,s print name.	K2RB 340M
Work Instruction No.	200908114CD	Date	Sep.03.2009



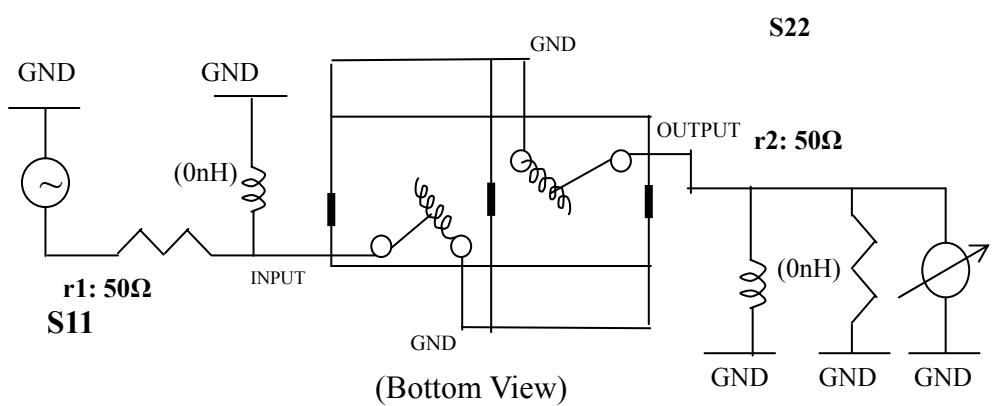
(3)Electric Charasteric	
Item	Specify
Center Freq.(Fo) +/- 0.5 %	340 MHz
Insertion Loss	Typ. 3.0 dB
-3 dB Bandwidth	Typ. 10 MHz
Sensitivity (Attenuation)	Fo - 50 MHz Typ. 25 dBc
	Fo + 50 MHz Typ. 25 dBc
	Fo - ()MHz Typ. dBc
	Fo +()MHz Typ. dBc
Return Loss	Min. 12 dB
Ripple	< 1 dB
Impedance	In / Out : 50 Ω

(4)Torque for Tuning Screw > 60gf cm

(5)Temperature Condition:	
Operating Temperature	0 ~ +60
Storage Temperature	20 ~ +70

(6)Input Power > 0.5Watt

(7)Measuring Circuit: Easy to match Impedance S11/S22 50Ω/ by parallel with about (0) nH.

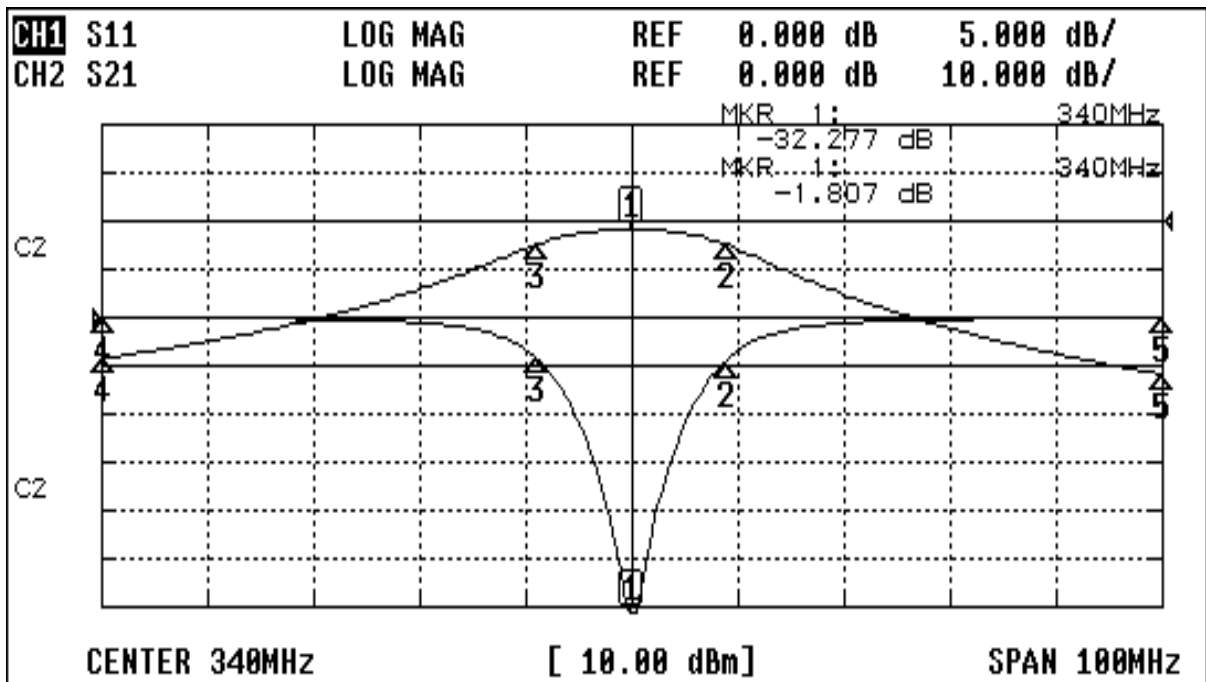


Approval	Supervisor	Designer	Aperture size
C.Y.Chang	C.K.Chang	C.H.Yeh	5R2S(3.8*3.7)(3.70) 5HW020RB3.5

TEMWELL CORPORATION

Performance-K2RB-340M-10M

200908114CD



CH1 MARKER LIST

Marker	Frequency (MHz)	Magnitude (dB)
1	340.000	-32.273
2	348.833	-4.508
3	331.000	-4.151
4	290.000	-0.062
5	390.000	-0.004

CH2 MARKER LIST

Marker	Frequency (MHz)	Magnitude (dB)
1	340.000	-1.807
2	348.833	-4.848
3	331.000	-4.824
4	290.000	-28.477
5	390.000	-31.745