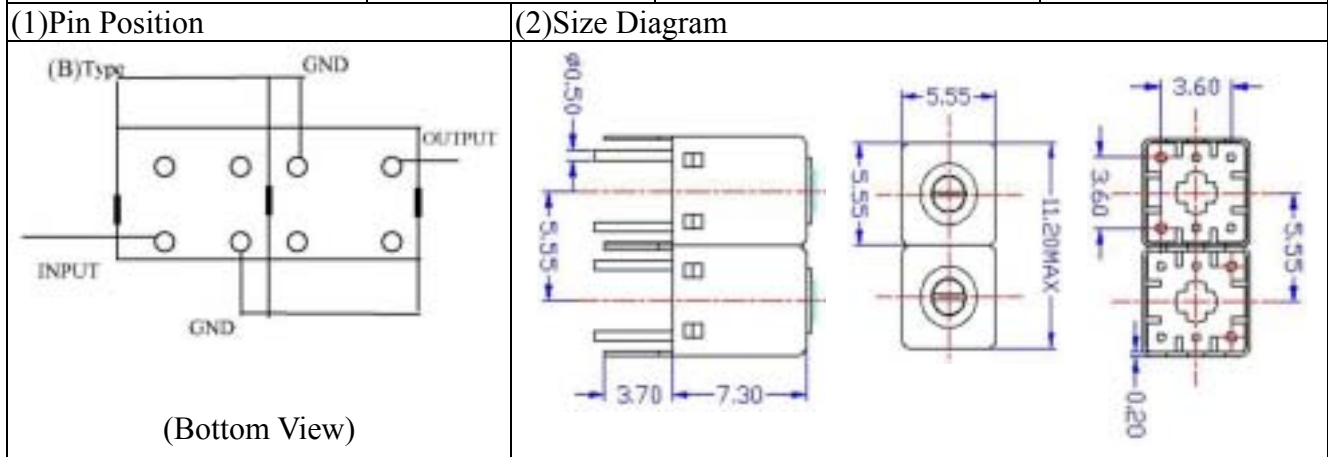
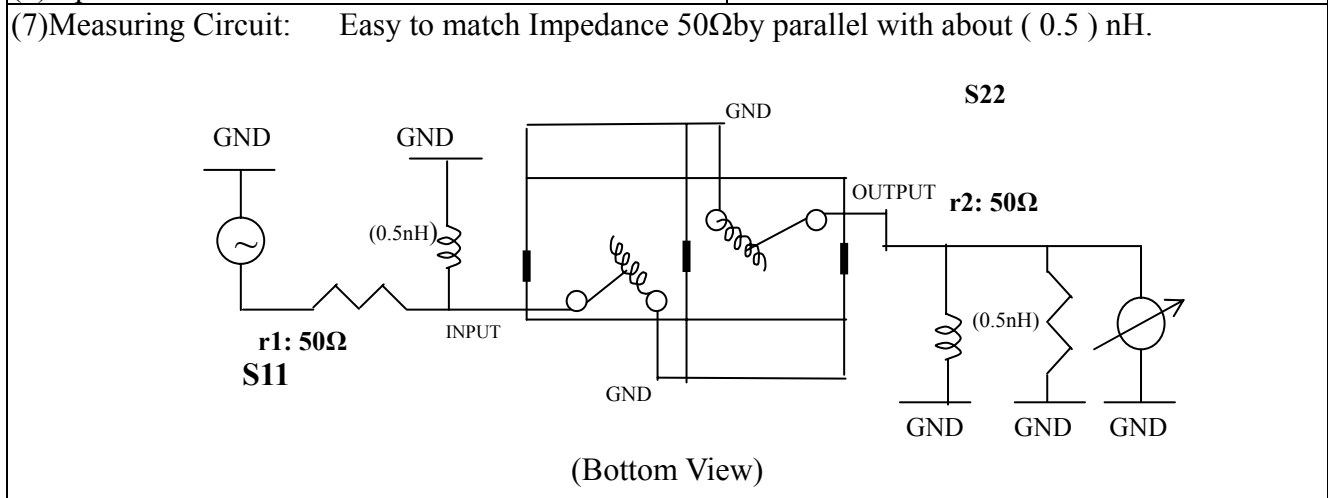


VHF UHF Helical Filter Specification Sheet

Customer Name		Temwell's Part No.	K2RB-1130M-26M
Approval No. /dated	20402134DC	Customer's Part No.	
Work Instruction No.	20402134DC	Date	Mar.09.2004



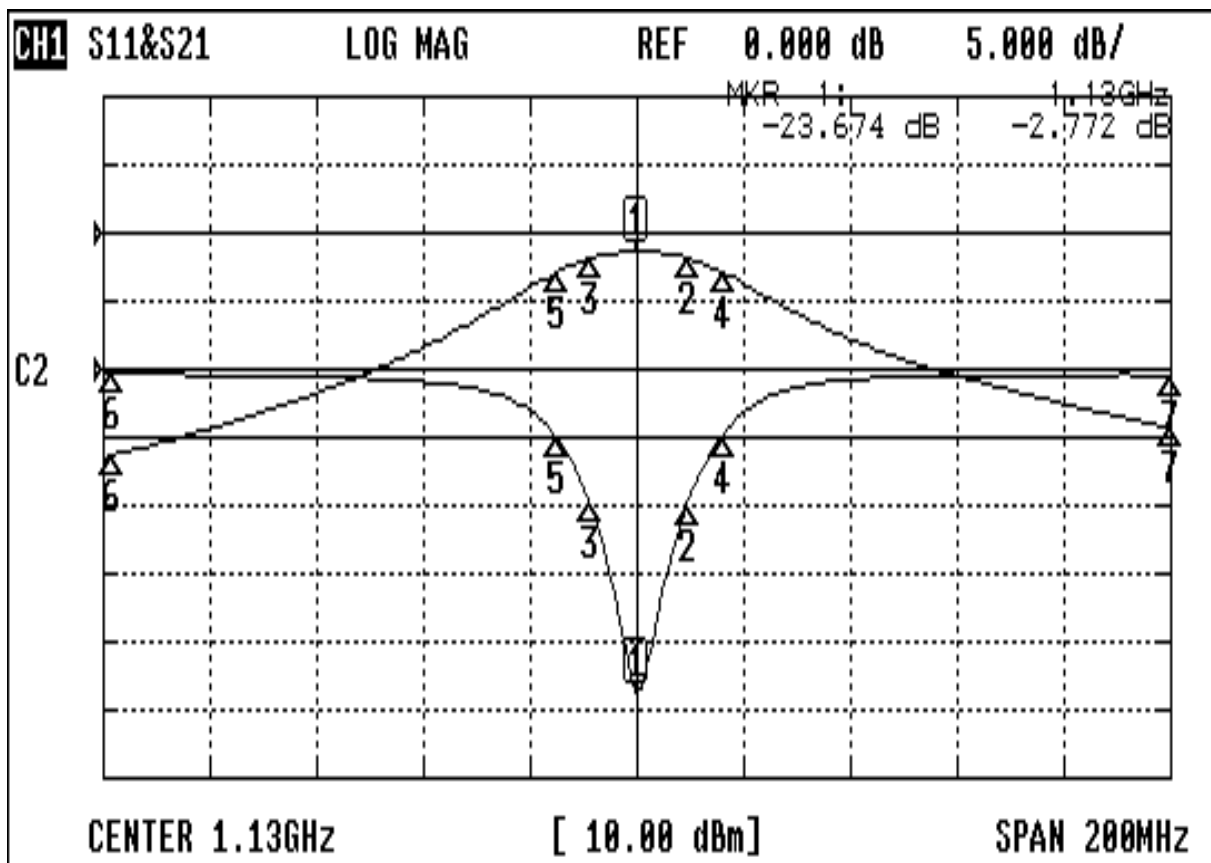
(3) Electric Characteristic		Item	Specify
Center Freq.(Fo) +/- 0.5 %			1130 MHz
Tunable Range: Fo±5MHz Fo±10MHz Fo±15MHz			1130±10 MHz
Insertion Loss		Typ.	3.5 dB
-3 dB Bandwidth		Typ.	26 MHz
Sensitivity (Attenuation)	Fo - 100 MHz	Typ.	25 dB
	Fo + 100 MHz	Typ.	20 dB
	Fo - ()MHz	Typ.	dB
	Fo +()MHz	Typ.	dB
Return Loss		Min.	12 dB
Ripple			< 1 dB
Impedance			In / Out : 50 Ω
(4) Torque for Tuning Screw			> 60gf cm
(5) Temperature Condition:			
Operating Temperature			0 ~ +60
Storage Temperature			-20 ~ +70
(6) Input Power			> 1Watt



Approval	Supervisor	Designer	Aperture size
C. Y. CHANG	C.S.Chang	Enlan	5R2(3*3.5)(3.62) 5HW024RB3
TEMWELL CORPORATION			

Performance-K2RB-1130M-26M

20402134DC



CH1 MARKER LIST

1:	1.130 000GHz	-23.674 dB	-2.772 dB
2:	1.139 500GHz	-10.065 dB	-3.708 dB
3:	1.121 333GHz	-9.886 dB	-3.733 dB
4:	1.146 000GHz	-4.883 dB	-5.750 dB
5:	1.115 000GHz	-4.912 dB	-5.759 dB
6:	1.031 500GHz	-0.353 dB	-32.673 dB
7:	1.230 000GHz	-0.396 dB	-28.610 dB
8:			
9:			
10:			