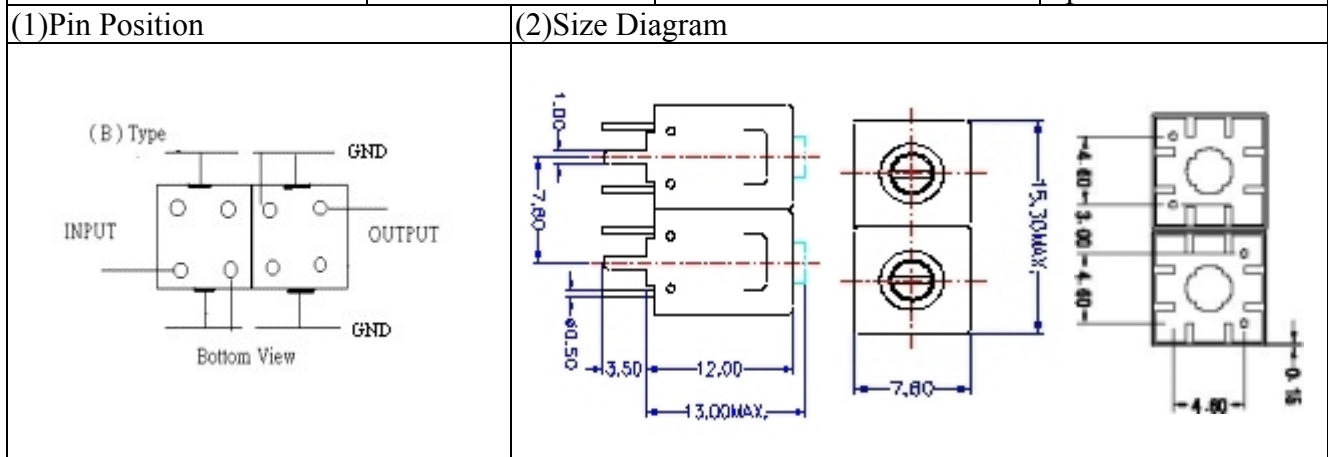


VHF UHF Helical Filter Specification Sheet

Customer Name		Temwell's Part No.	K2B1-390-10M
Approval No. /dated	0904103CD	Customer's Part No.	K2B1 390M
Work Instruction No.	200904103CD	Date	Apr.20.2009



(3)Electric Charasteric

Item	Specify
Center Freq.(Fo) +/- 0.5 %	390 MHz
Tunable Range:	390±4 MHz
Insertion Loss	Typ. 3.0 dB
-3 dB Bandwidth	Typ. 10 MHz
Sensitivity (Attenuation)	Fo - 50 MHz Typ. 40 dBc
	Fo + 50 MHz Typ. 26 dBc
	Fo - ()MHz Typ. dBc
	Fo +()MHz Typ. dBc
Return Loss	Min. 12 dB
Ripple	< 1 dB
Impedance	In / Out : 50 Ω

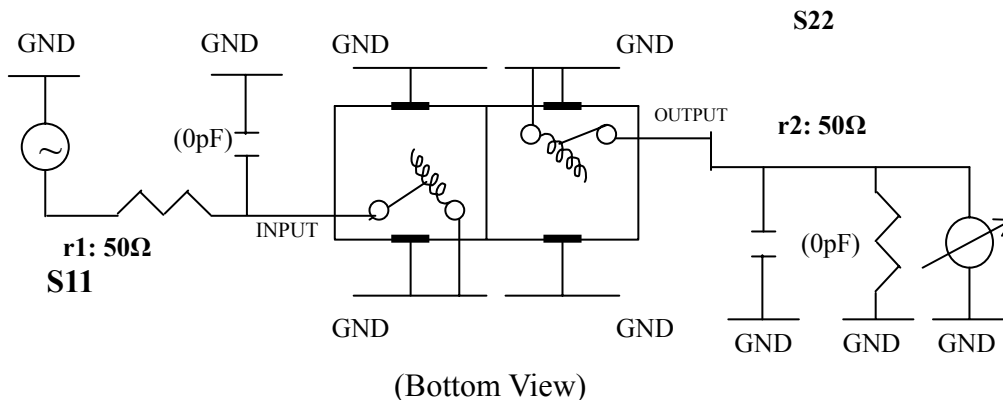
(4)Torque for Tuning Screw > 60gf cm

(5)Temperature Condition:

Operating Temperature	0 ~ +60
Storage Temperature	-20 ~ +70

(6)Input Power > 1Watt

(7)Measuring Circuit: Easy to match Impedance S11/S22 50Ω by parallel with about (0) pF.

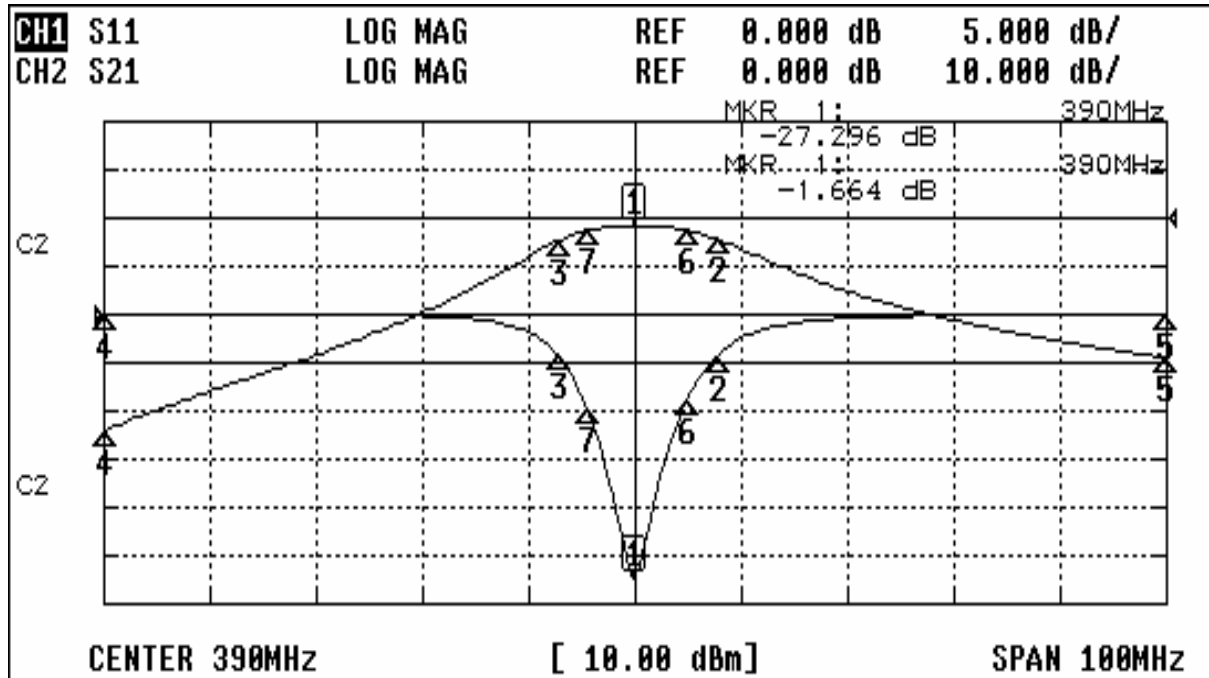


Approval	Supervisor	Designer	Aperture size
C.Y.Chang	C.K.Chang	W.W.Wang	7H2S(4*6.5)(6.55) (7H046RB4)

TEMWELL CORPORATION

Performance-K2B1-390M-10M

200904103CD



CH1 MARKER LIST		
1	390.0000MHz	-27.268 dB
2	389.916MHz	-4.144 dB
3	389.933MHz	-4.299 dB
4	390.0000MHz	0.071 dB
5	390.083MHz	-1.666 dB
6	390.150MHz	-1.691 dB
7	390.150MHz	-1.664 dB

CH2 MARKER LIST		
1	390.0000MHz	-1.664 dB
2	389.916MHz	-4.664 dB
3	389.933MHz	-4.664 dB
4	390.0000MHz	0.071 dB
5	390.083MHz	-1.664 dB
6	390.150MHz	-1.664 dB