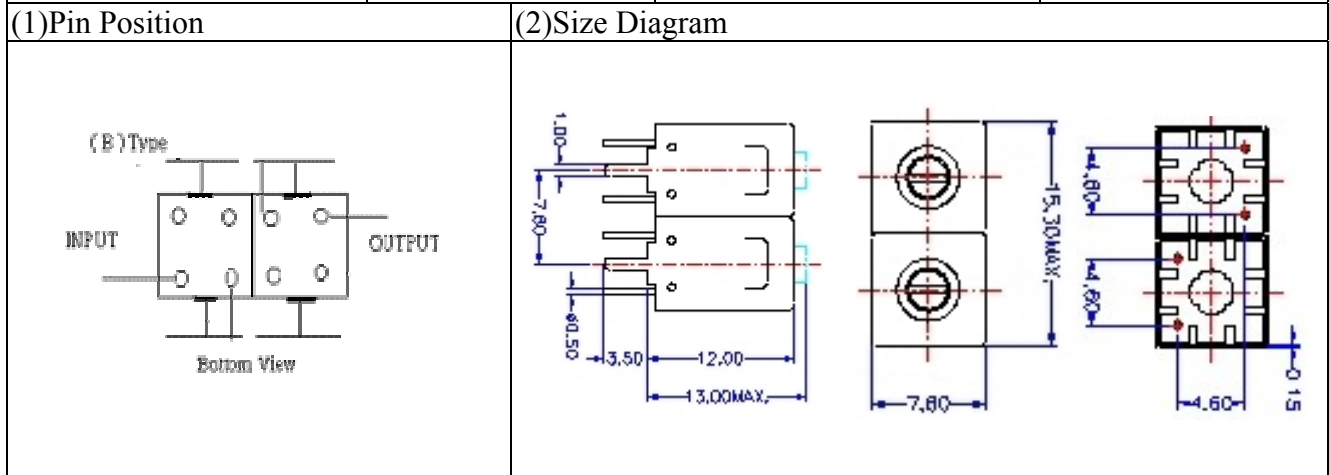


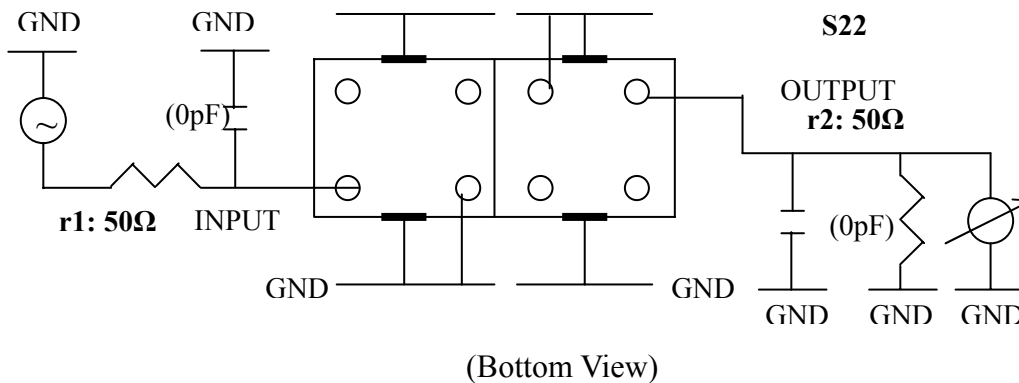
VHF UHF Helical Filter Specification Sheet

Customer Name		Temwell's Part No.	K2B1-370M-10M
Approval No. /dated	20402053DC	Customer's Part No.	
Work Instruction No.	20402053DC	Date	Feb.12.2004



(3) Electric Characteristic	
Item	Specify
Center Freq.(Fo) +/- 0.5 %	370 MHz
Tunable Range: Fo±5MHz Fo±10MHz Fo±15MHz	370±10 MHz
Insertion Loss	Max. 2.5 dB
-3 dB Bandwidth	Typ. 10 MHz
Sensitivity (Attenuation)	Fo - 50 MHz Typ. 35 dBc
	Fo + 50 MHz Typ. 25 dBc
	Fo - ()MHz Typ. dBc
	Fo +()MHz Typ. dBc
Return Loss	Min. 12 dB
Ripple	< 1 dB
Impedance	In / Out : 50 Ω
(4) Torque for Tuning Screw	> 60gf cm
(5) Temperature Condition:	
Operating Temperature	0 ~ +60
Storage Temperature	20 ~ +70
(6) Input Power	> 1Watt

(7) Measuring Circuit: Easy to match Impedance 50Ω by parallel with about (0) pF.

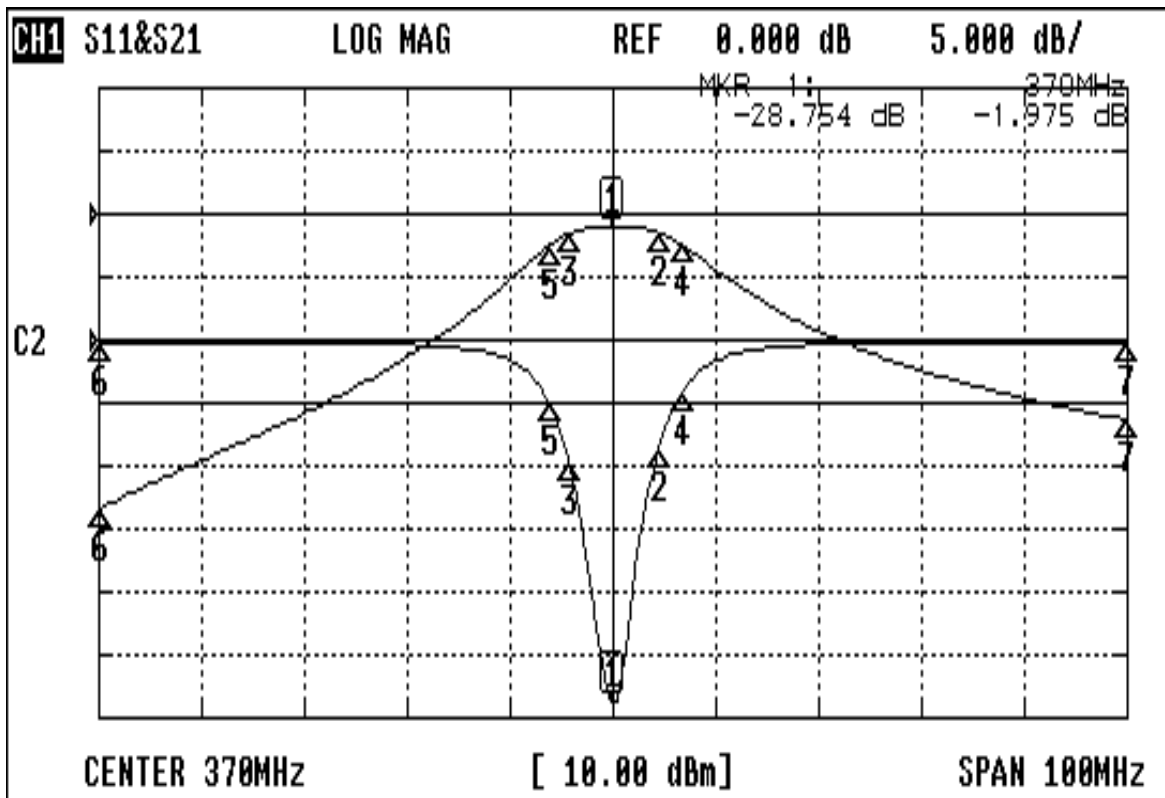


Approval	Supervisor	Designer	Aperture size
	C.S.Chang	Enlan	7H2(4*6.5)(4*6.6)

TEMWELL CORPORATION

Performance-K2B1-370M-10M

20402053DC



CH1 MARKER LIST

1:	370.000MHz	-28.754 dB	-1.975 dB
2:	374.500MHz	-8.731 dB	-3.025 dB
3:	365.833MHz	-9.844 dB	-3.076 dB
4:	376.833MHz	-4.102 dB	-5.089 dB
5:	363.800MHz	-4.877 dB	-5.037 dB
6:	320.000MHz	-0.152 dB	-46.884 dB
7:	420.000MHz	-0.143 dB	-32.665 dB
8:			
9:			
10:			