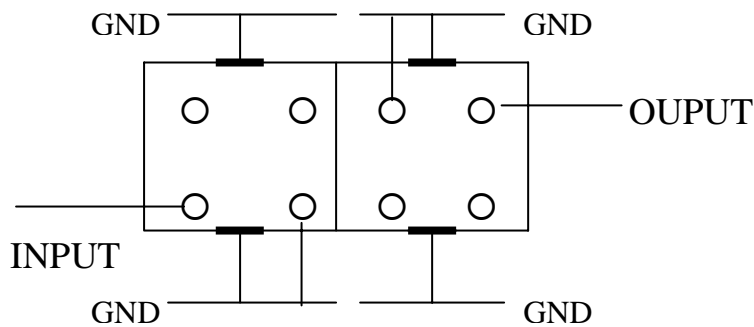


## VHF UHF Helical Filter Specification Sheet

Customer Name		Temwell's Part No.	K2B-460M-10M
Approval No. /dated	20401007DC	Customer's Part No.	
Work Instruction No.	20401007DC	Date	Jan.09.2004
<input type="checkbox"/> Buyer Print name		<input type="checkbox"/> Temwell,s print name	
Case Name	7H2	Case size :	
Terminator Type	B		

\* Pin Position (Pin Connection) diagram as following

( B ) Type



(Bottom View )

### (3) Electric Charasteric

Item	Specify
Center Freq.(Fo ) +/- 0.5 %	460 MHz
Tuning Range	$460 \pm 5$ MHz
Insertion Loss	Typ. 2.0 dB
-3 dB Bandwidth	Typ. 10 MHz
Sensitivity (Attenuation )	Fo - 50 MHz Typ. 30 dB
	Fo + 50 MHz Typ. 20 dB
	Fo - ( ) MHz Typ. dB
	Fo +( ) MHz Typ. dB
Return Loss	Min. 12 dB
Ripple	$< 1$ dB
Impedance	In / Out : 50 $\Omega$

### 4. Temperature Condition:

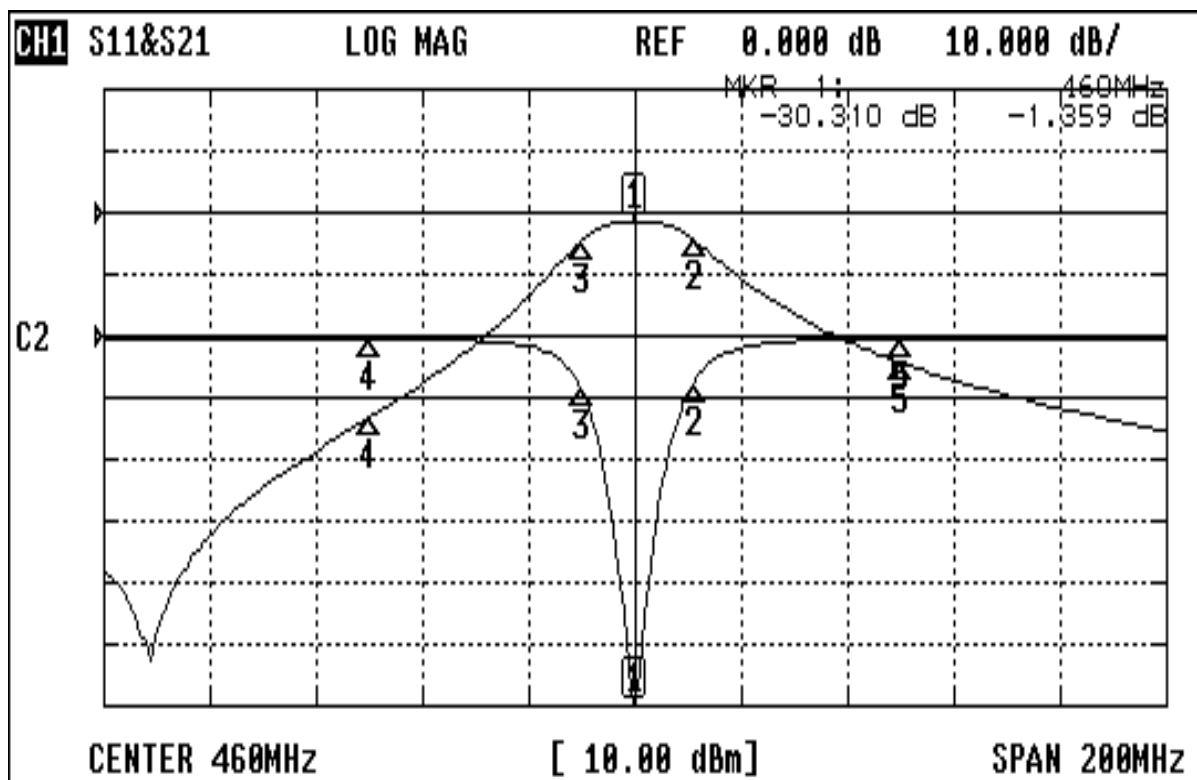
Operating Temperature	0 ~ +60
Storage Temperature	-20 ~ +70

Approval	Supervisor	Designer	Aperture size
	C.S.Chang	P.H.Ching	7H2(4*6.5)(6.59) 7H046RB4

**TEMWELL CORPORATION**

# Performance-K2B-460M-10M

20401007DC



## CH1 MARKER LIST

1:	460.000MHz	-30.310 dB	-1.359 dB
2:	471.000MHz	-3.840 dB	-4.338 dB
3:	450.166MHz	-4.488 dB	-4.385 dB
4:	410.000MHz	-0.236 dB	-33.249 dB
5:	510.000MHz	-0.241 dB	-24.321 dB
6:			
7:			
8:			
9:			
10:			