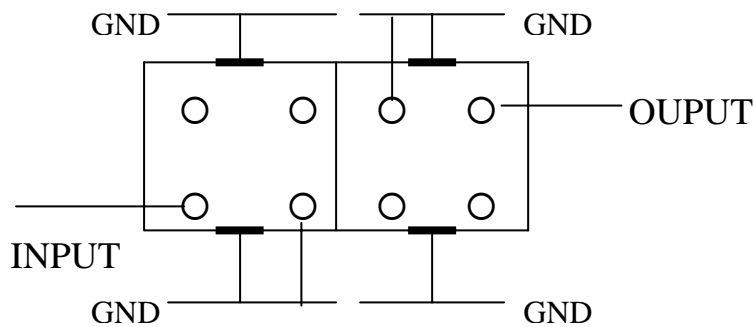


VHF UHF Helical Filter Specification Sheet

Customer Name		Temwell's Part No.	K2B-440M-10M
Approval No. /dated	20401006DC	Customer's Part No.	
Work Instruction No.	20401006DC	Date	Jan.09.2004
<input type="checkbox"/> Buyer Print name		<input type="checkbox"/> Temwell,s print name	
Case Name	7H2	Case size :	
Terminator Type	B		

* Pin Position (Pin Connection) diagram as following

(B) Type



(Bottom View)

(3) Electric Charastic

Item		Specify	
Center Freq.(Fo) +/- 0.5 %		440	MHz
Tuning Range		440 ± 5	MHz
Insertion Loss	Typ.	2.5	dB
-3 dB Bandwidth	Typ.	10	MHz
Sensitivity (Attenuation)	Fo - 50 MHz	Typ.	30 dB
	Fo + 50 MHz	Typ.	20 dB
	Fo - () MHz	Typ.	dB
	Fo +() MHz	Typ.	dB
Return Loss	Min.	12	dB
Ripple		< 1	dB
Impedance		In / Out : 50 Ω	

4. Temperature Condition:

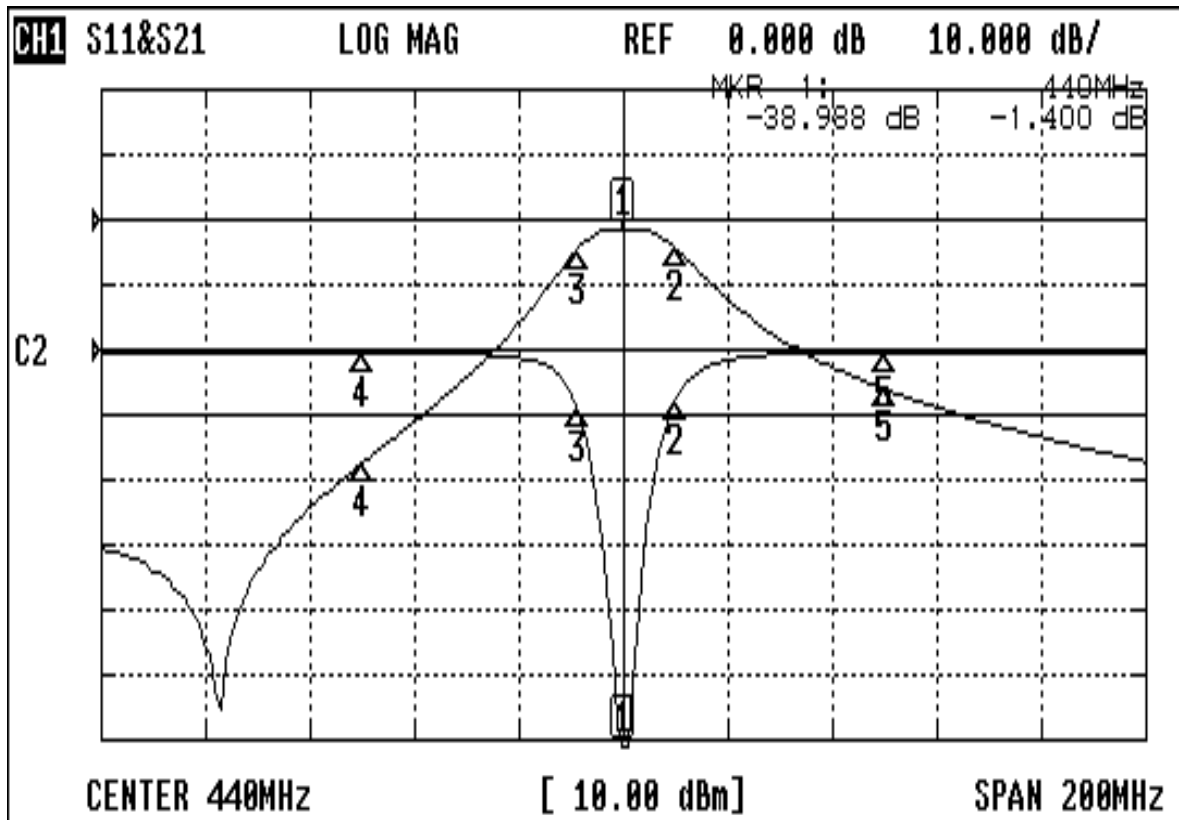
Operating Temperature	0 ~ +60
Storage Temperature	-20 ~ +70

Approval	Supervisor	Designer	Aperture size
	C.S.Chang	P.H.Ching	7H2(4*6.5)(6.56) 7H046RB4

TEMWELL CORPORATION

Performance-K2B-440M-10M

20401006DC



CH1 MARKER LIST

1:	440.000MHz	-38.988 dB	-1.400 dB
2:	450.166MHz	-3.825 dB	-4.453 dB
3:	431.333MHz	-4.536 dB	-4.413 dB
4:	390.000MHz	-0.210 dB	-37.419 dB
5:	490.000MHz	-0.222 dB	-26.041 dB
6:			
7:			
8:			
9:			
10:			