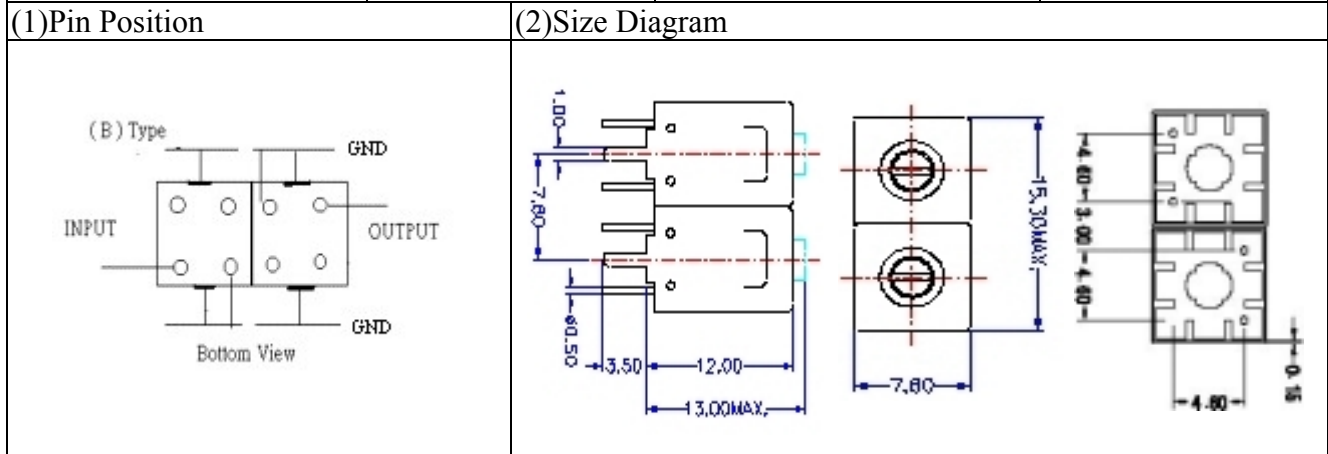


VHF UHF Helical Filter Specification Sheet

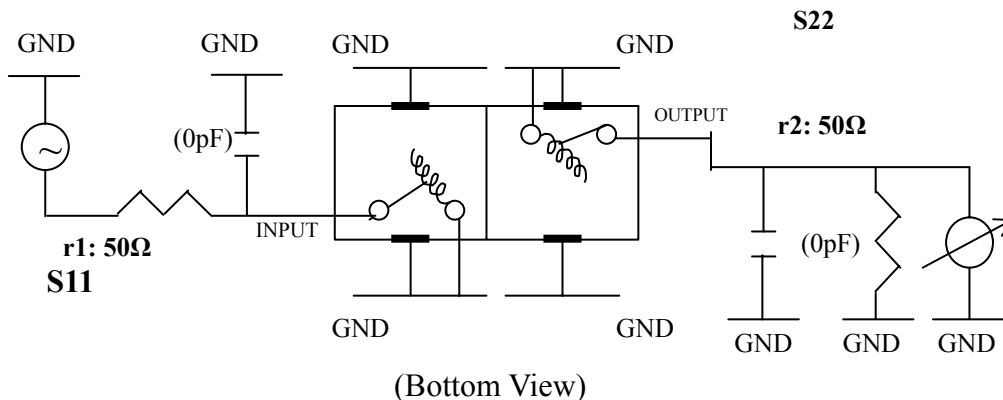
Customer Name		Temwell's Part No.	K2B-420.2M-10M
Approval No. /dated	0803001APR	Customer's Part No.	K2B 420.2M
Work Instruction No.	0803001BD	Date	Mar.06.2008



(3)Electric Character

Item	Specify
Center Freq.(Fo) +/- 0.5 %	420.2 MHz
Tunable Range:	420.2±5 MHz
Insertion Loss	Typ. 2 dB
-3 dB Bandwidth	Typ. 10 MHz
Sensitivity (Attenuation)	Fo - 50 MHz Typ. 29 dBc
	Fo + 50 MHz Typ. 20 dBc
	Fo - ()MHz Typ. dBc
	Fo +()MHz Typ. dBc
Return Loss	Min. 12 dB
Ripple	< 1 dB
Impedance	In / Out : 50 Ω
(4)Torque for Tuning Screw	> 100gf cm
(5)Temperature Condition:	
Operating Temperature	0 ~ +60
Storage Temperature	-20 ~ +70
(6)Input Power	> 1Watt

(7)Measuring Circuit: Easy to match Impedance S11/S22 50Ω by parallel with about (0)pF /(0)pF



Approval	Supervisor	Designer	Aperture size
C.Y.Chang	C.S.Chang	Y.H.Yeh	7H2S(4*6.5)F(4.0B) 7H046RB4

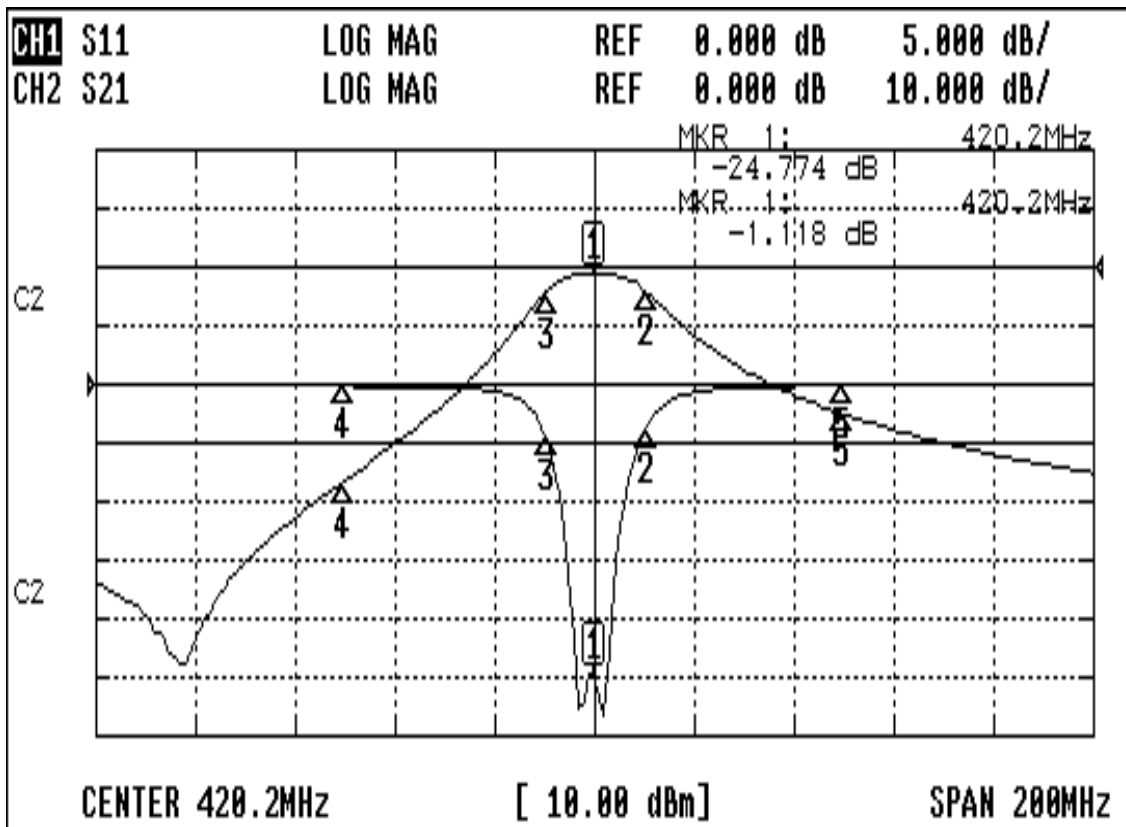
TEMWELL CORPORATION

TEMWELL

Form10-7H2B Vision D RP(Y.H.Y)

Performance-K2B-420.2M-10M

0803001BD



CH1 MARKER LIST

1:	420.200MHz	-24.774 dB
2:	430.533MHz	-3.717 dB
3:	410.533MHz	-4.506 dB
4:	370.000MHz	-0.137 dB
5:	470.000MHz	-0.101 dB

CH2 MARKER LIST

1:	420.200MHz	-1.116 dB
2:	430.533MHz	-4.114 dB
3:	410.533MHz	-4.143 dB
4:	370.000MHz	-36.462 dB
5:	470.000MHz	-25.009 dB