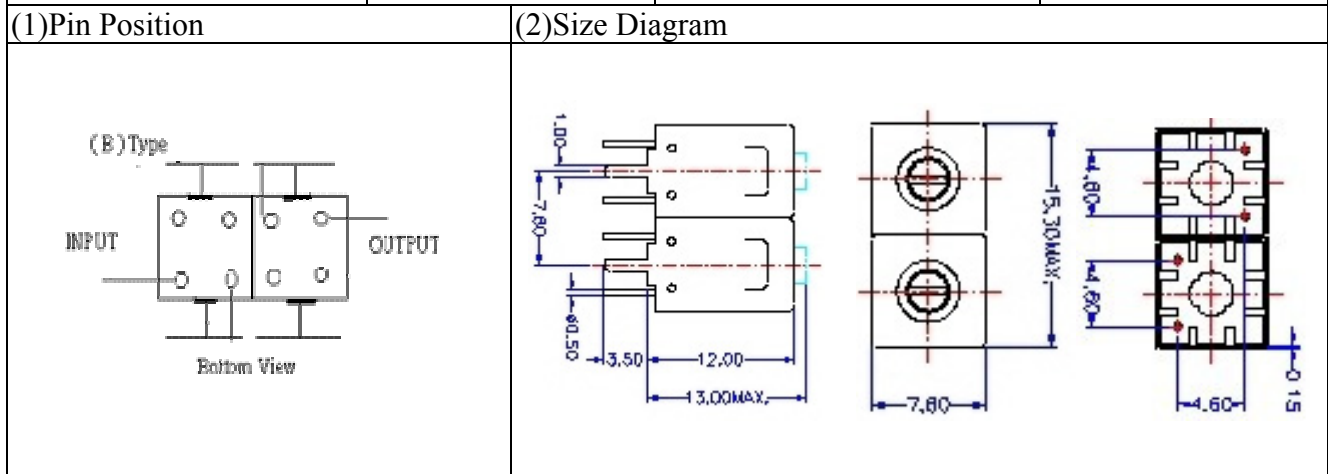


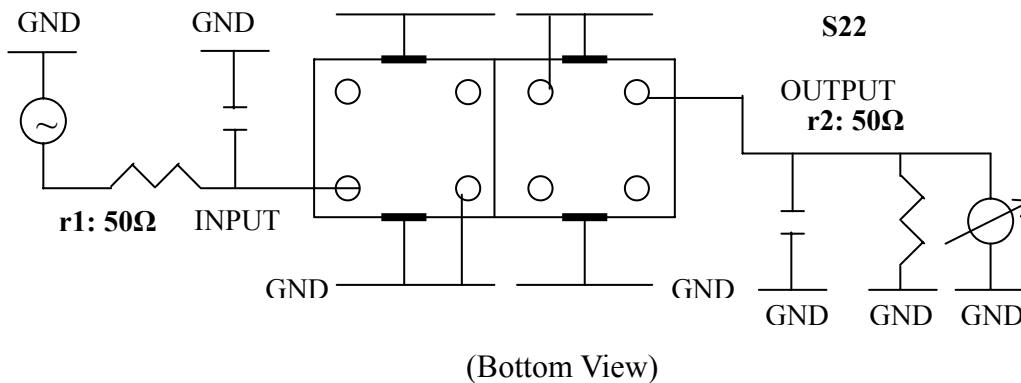
VHF UHF Helical Filter Specification Sheet

| | | | |
|----------------------|------------|-----------------------|--------------|
| Customer Name | | Temwell's Part No. | K2B-415M-30M |
| Approval No. /dated | | Temwell's Print name. | K2B 415M |
| Work Instruction No. | 201012092C | Date | Dec.28.2010 |



| | |
|-------------------------------|-----------------------|
| (3)Electric Charasteric | |
| Item | Specify |
| Center Freq.(Fo) +/- 0.75 % | 415 MHz |
| Insertion Loss | Typ. 5.0 dB |
| -1 dB Bandwidth | Typ. 19 MHz |
| Sensitivity (Attenuation) | Fo - 30 MHz Typ. 8 dB |
| | Fo + 30 MHz Typ. 7 dB |
| | Fo - ()MHz Typ. dB |
| | Fo +()MHz Typ. dB |
| Return Loss | Min. 12 dB |
| Ripple | < 1 dB |
| Impedance | In / Out : 50 Ω |
| (4)Torque for Tuning Screw | > 60gf cm |
| (5)Temperature Condition: | |
| Operating Temperature | -30 ~ +70 |
| Storage Temperature | -30 ~ +80 |
| (6)Input Power | > 1Watt |

(7)Measuring Circuit: Easy to match Impedance S11/S22 50Ω by parallel with about ().

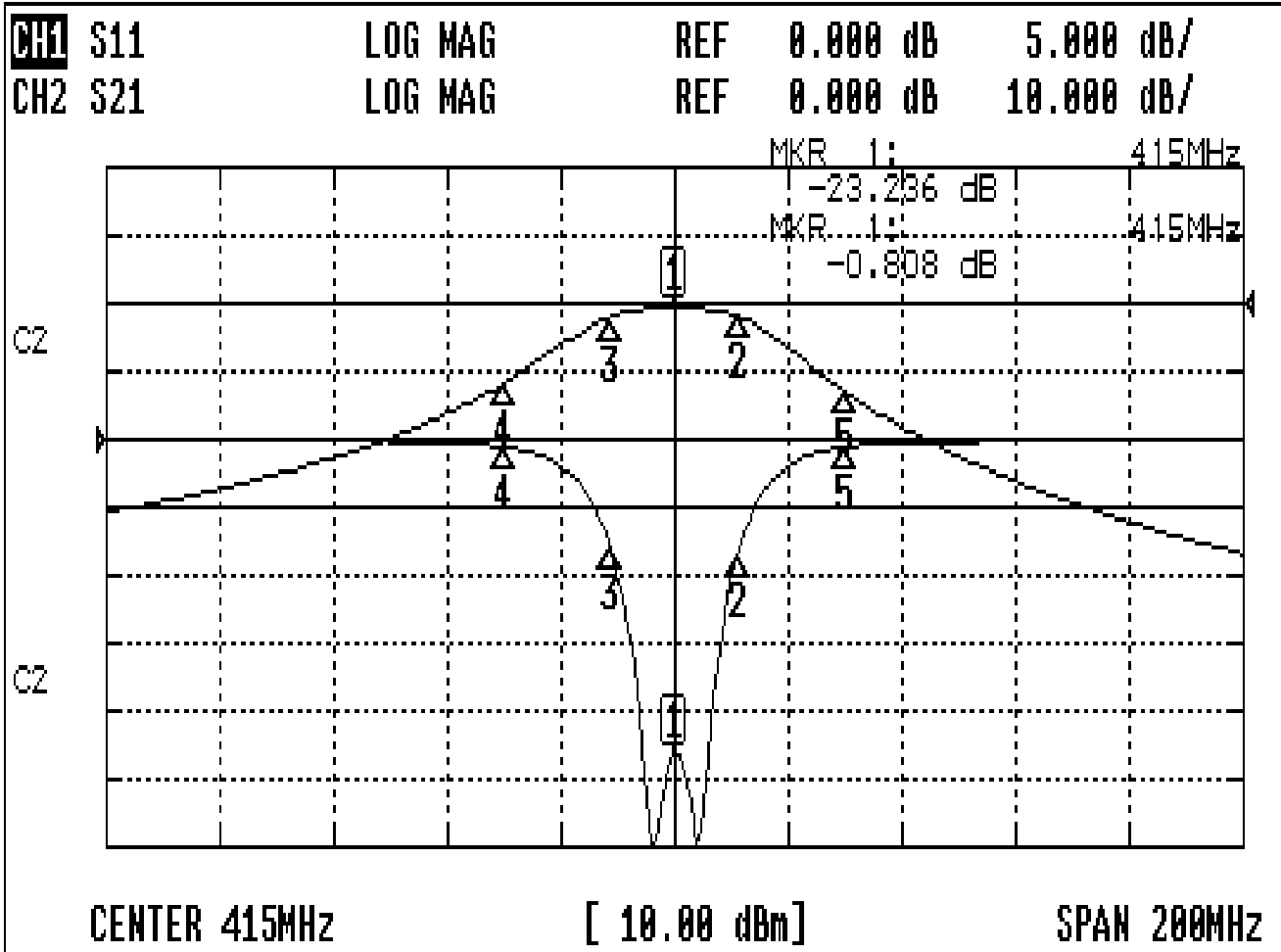


| | | | |
|-----------|------------|------------|-----------------------------------|
| Approval | Supervisor | Designer | Aperture size |
| C.Y.Chang | C.K.Chang | P.H.Chiang | 7H2S(4*7.5)(7.54) 7H046LB4 聚 3 |

TEMWELL CORPORATION

Performance-K2B-415M-30M

201012092C



CH1 MARKER LIST

| | | |
|----|------------|------------|
| 1: | 415.000MHz | -23.233 dB |
| 2: | 426.333MHz | -8.444 dB |
| 3: | 403.667MHz | -7.970 dB |
| 4: | 385.000MHz | -0.570 dB |
| 5: | 445.000MHz | -0.563 dB |

CH2 MARKER LIST

| | | |
|----|------------|------------|
| 1: | 415.000MHz | -0.808 dB |
| 2: | 426.333MHz | -1.847 dB |
| 3: | 403.667MHz | -1.869 dB |
| 4: | 385.000MHz | -11.686 dB |
| 5: | 445.000MHz | -12.911 dB |