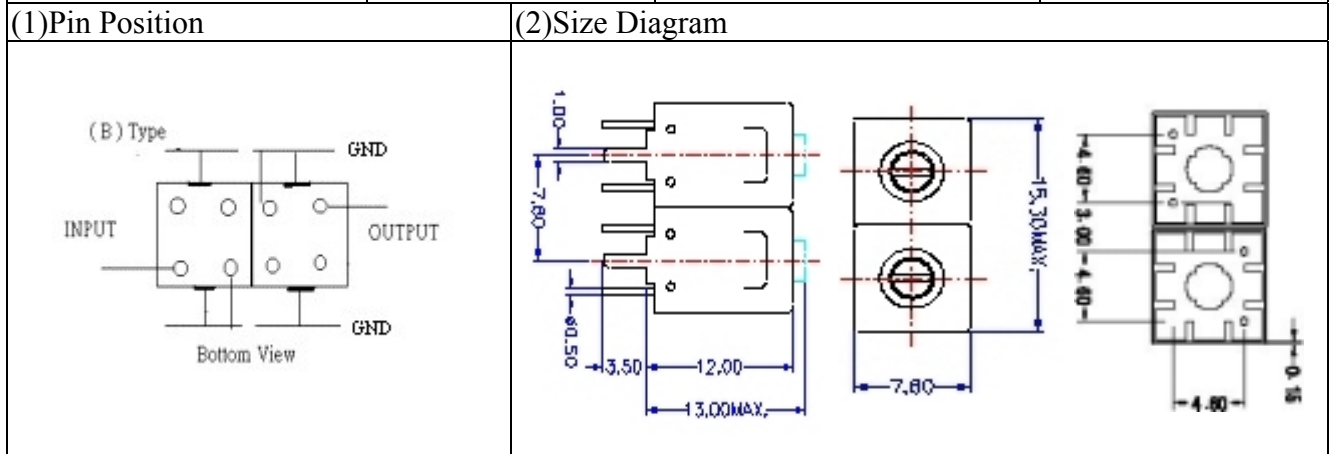


VHF UHF Helical Filter Specification Sheet

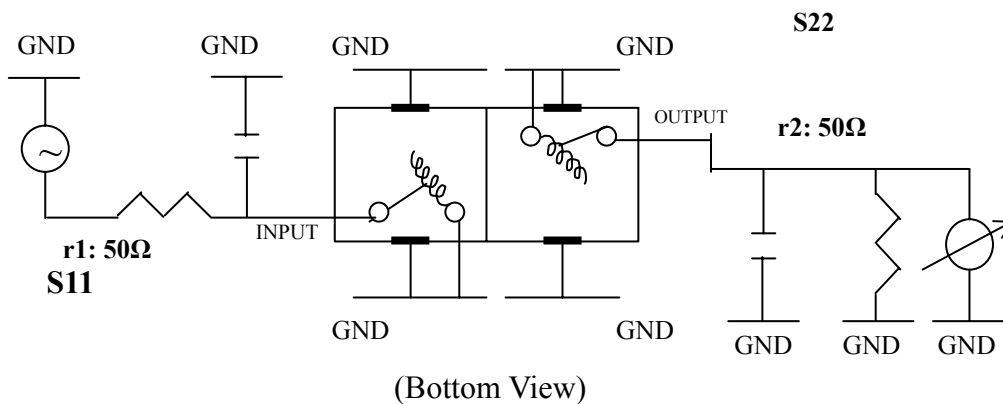
Customer Name		Temwell's Part No.	K2B-337M-8M
Approval No. /dated		Temwell's Part name	K2B 337M
Work Instruction No.	201311055CD	Date	Dec.05.2013



(3) Electric Charasteric

Item	Specify
Center Freq.(Fo) +/- 0.5 %	337 MHz
Insertion Loss	Typ. 3.5 dB
-3 dB Bandwidth	Typ. 8 MHz
Sensitivity (Attenuation)	Fo - 30 MHz Typ. 30 dB
	Fo + 30 MHz Typ. 23 dB
	Fo - ()MHz Typ. dB
	Fo +()MHz Typ. dB
Return Loss	Min. 12 dB
Ripple	< 1 dB
Impedance	In / Out : 50 Ω
(4)Torque for Tuning Screw	> 60gf cm
(5)Temperature Condition:	
Operating Temperature	0 ~ +60
Storage Temperature	-20 ~ +70
(6)Input Power	> 1Watt

(7)Measuring Circuit: Easy to match Impedance S11/S22 50Ω by parallel with about (--)



Approval	Supervisor	Designer	Aperture size
C.Y.Chang	C.K.Chang	P.H.Chiang	7H2S(4*5.6)(5.64) 7H046RB4- (J1)
TEMWELL CORPORATION			

Performance-K2B-337M-8M

201311055CD

