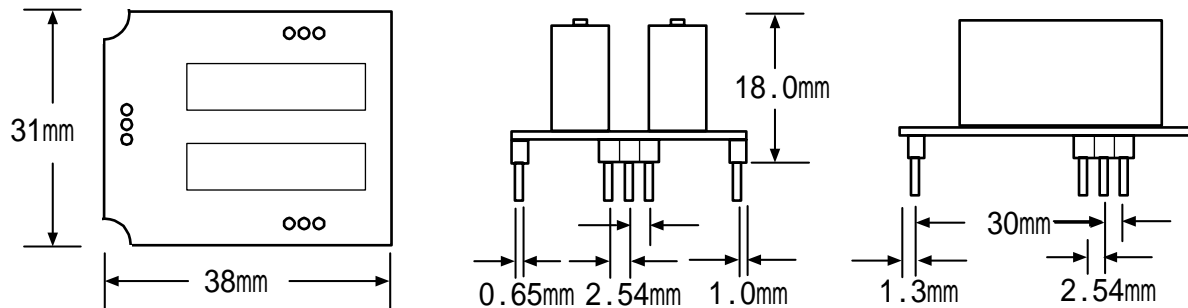


# TEMWELL Diplexer Specification Sheet

Customer Name		Temwell's Part No.	DiCS-340-330M370MP
Approval No. /dated	0804010APR	Temwell's Print Name	
Work Instruction No.	0804010D	Date	Apr.21.2008

## (1) Size Diagram



## (2) Electric Characteristic

Item		Specify		Performance	
Center Freq.(Fo ) +/- 0.5 %	Port2	Typ.	330 MHz	330	MHz
	Port3	Typ.	370 MHz	370	MHz
-3 dB bandwidch	Port2	Typ.	15 MHz	17.3	MHz
	Port3	Typ.	15 MHz	17.2	MHz
Return Loss output 1 (S11)	Port2		> 12 dB	13.7	dB
	Port3		> 12 dB	18.9	dB
Return Loss output 2 (S22)			> 12 dB	18.1	dB
Return Loss output 3 (S33)			> 12 dB	23.2	dB
Insertion Loss (S21)		Typ.	< 2.5 dB	2.38	dB
Insertion Loss (S31)		Typ.	< 2.5 dB	2.34	dB
ISOLATION (S23)			> 50 dB	46	dB
Impedance			In / Out : 50Ω	In / Out : 50 Ω	
(3)Torque for Tuning Screw			> 100gf cm		

## (4)Temperature Condition:

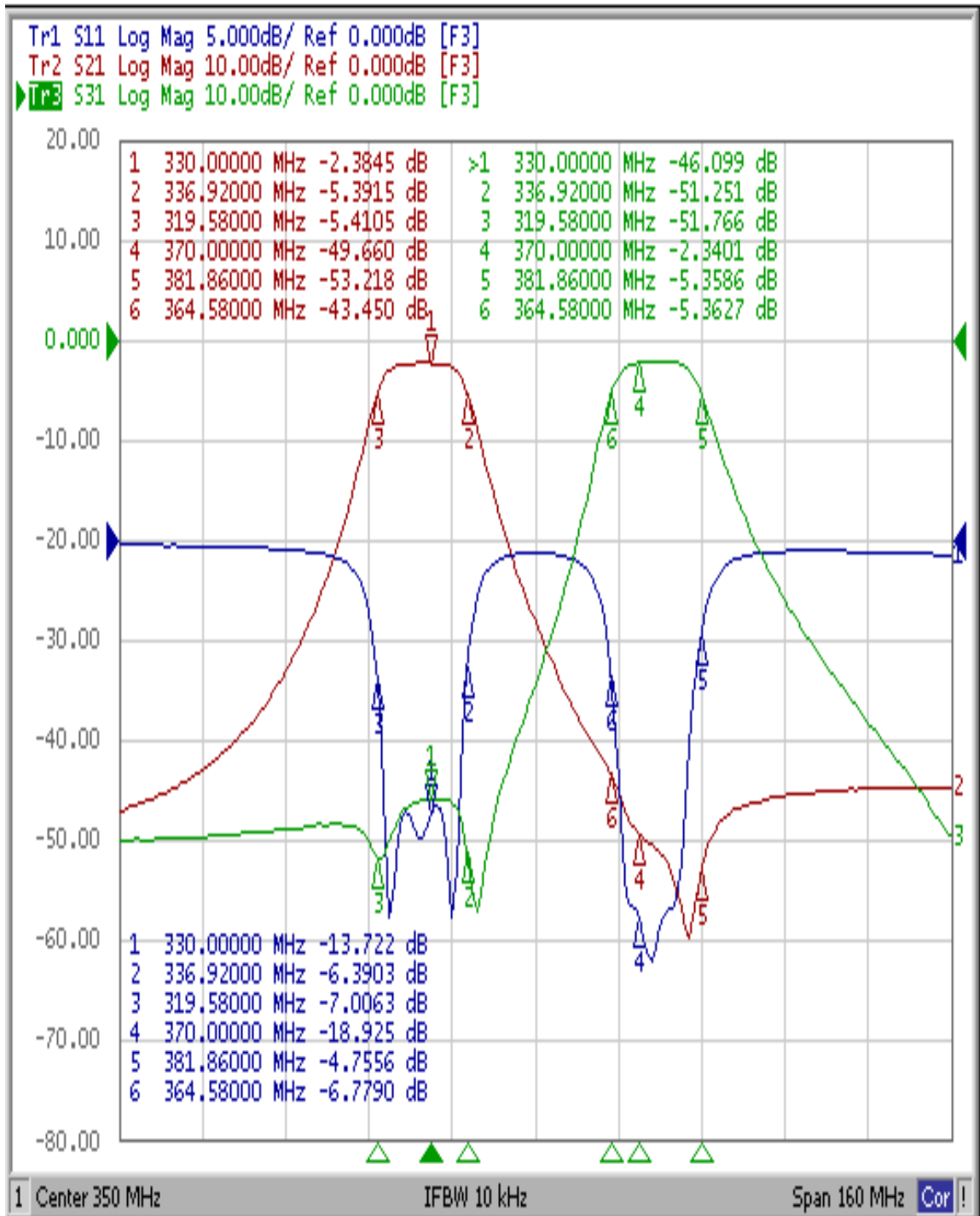
Operating Temperature	-30 ~ +70
Storage Temperature	-30 ~ +80
(5)Input Power	> 5Watt

Approval	Supervisor	Designer	Aperture size
C. Y. Chang	C.S. Chang	Y.H.Yeh	SMA Type

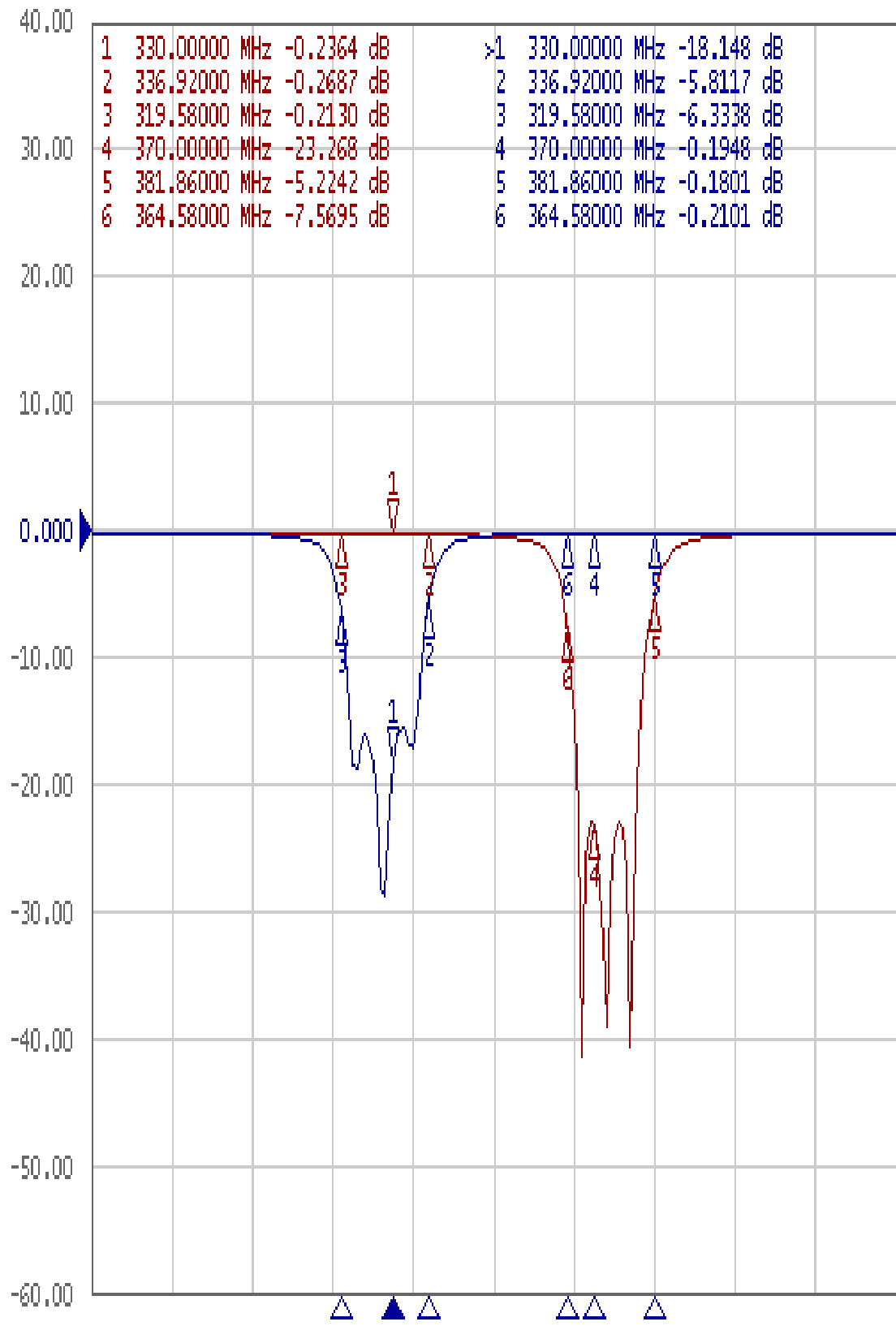
TEMWELL CORPORATION

# Performance-DiCS340-330M370MP

## 0804010D

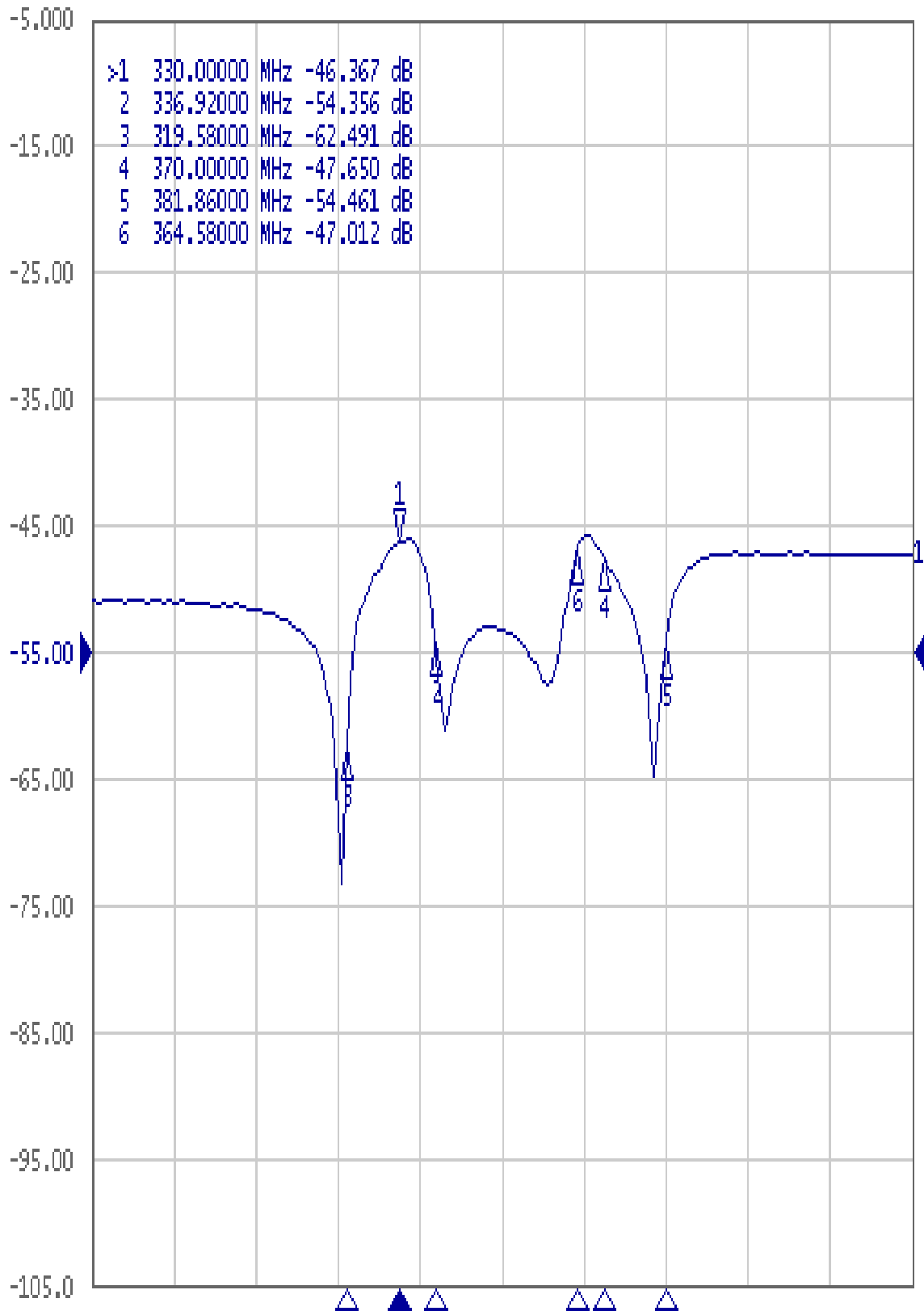


Tr1 S22 Log Mag 10.00dB/ Ref 0.000dB [F3]  
 Tr2 S33 Log Mag 10.00dB/ Ref 0.000dB [F3]



1 Center 350 MHz IFBW 10 kHz Span 160 MHz Cur

Tr1 S23 Log Mag 10.00dB/ Ref -55.00dB [F3]



1 Center 350 MHz IFBW 10 kHz Span 160 MHz Cor