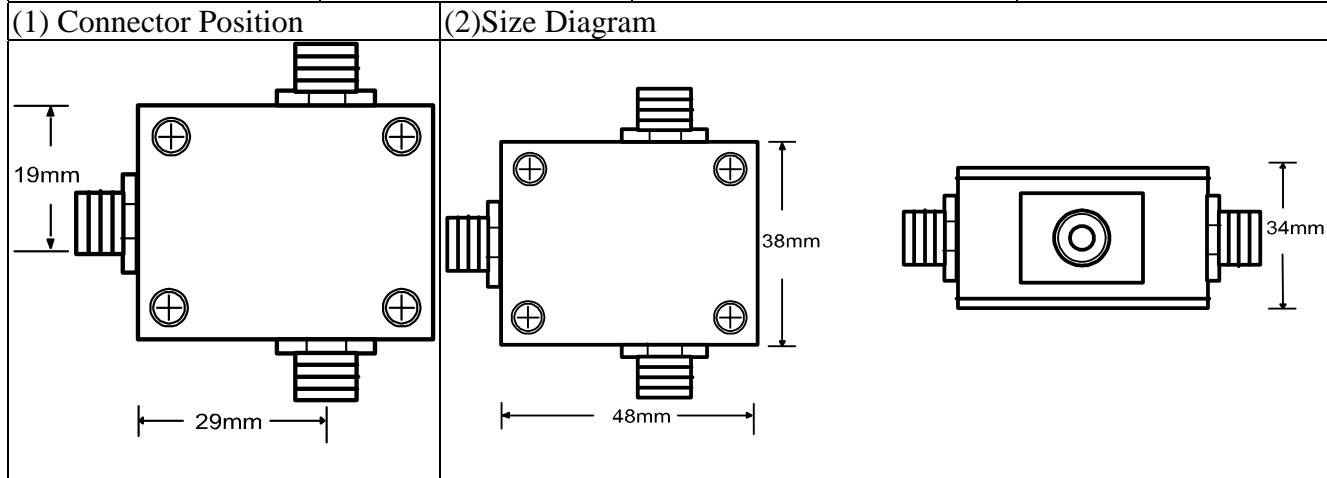


TEMWELL Diplexer Specification Sheet

Customer Name		Temwell's Part No.	DiAR-3304-156M/460M-N
Approval No. /dated	0807005D	Temwell's Print Name	
Work Instruction No.	0807005D	Date	Jul.02.2008



(3) Electric Characteristic

Item	Specify	Performance
Center Freq.(Fo) +/- 0.5 %	Port2 Typ. 156 MHz	156 MHz
	Port3 Typ. 460 MHz	460 MHz
-3 dB bandwidch	Port2 Typ. 35 MHz	35.8 MHz
	Port3 Typ. 30 MHz	31.4 MHz
Return Loss output 1 (S11)	Port2 Typ. >12 dB	17.8 dB
	Port3 Typ. >12 dB	25.8 dB
Return Loss output 2 (S22)	Typ. >12 dB	19.9 dB
Return Loss output 3 (S33)	Typ. >12 dB	21.5 dB
Insertion Loss (S21)	Typ. <1.6 dB	1.46 dB
Insertion Loss (S31)	Typ. <1.6 dB	1.08 dB
ISOLATION (S23)	> 60 dB	66 dB
Impedance	In / Out : 50Ω	In / Out : 50 Ω

(4) Torque for Tuning Screw > 100gf cm

(5) Temperature Condition:

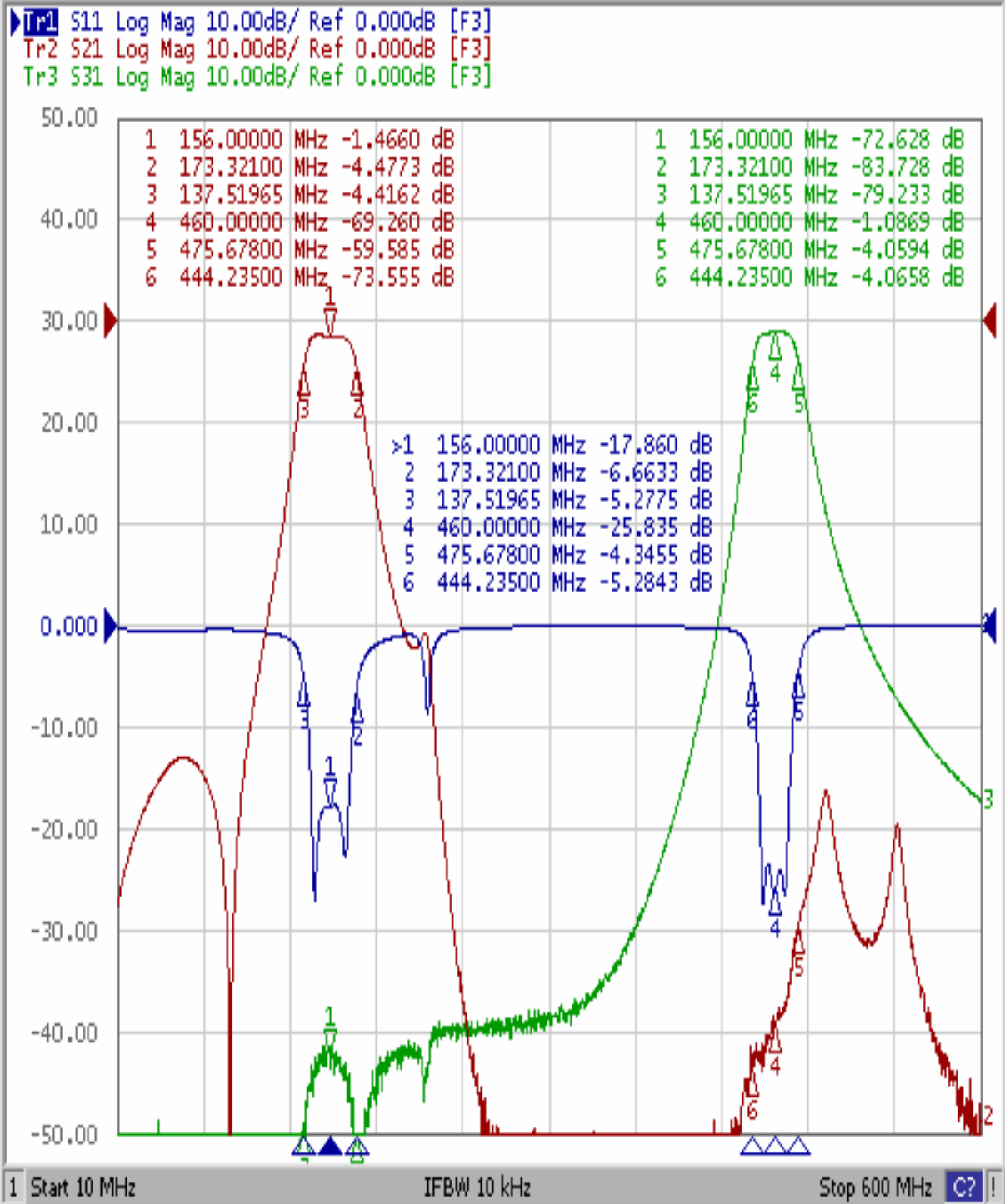
Operating Temperature	-30 ~ +70
Storage Temperature	-30 ~ +80

(6) Input Power > 20Watt

Approval	Supervisor	Designer	Aperture size
C. Y. Chang	C.S. Chang	C.S.Chang	N Type

TEMWELL CORPORATION

Performance-DiAR-3304-156M/460M-N 0807005D



Tr1 S22 Log Mag 10.00dB/ Ref 0.000dB [F3]
▶ Tr2 S33 Log Mag 10.00dB/ Ref 0.000dB [F3]

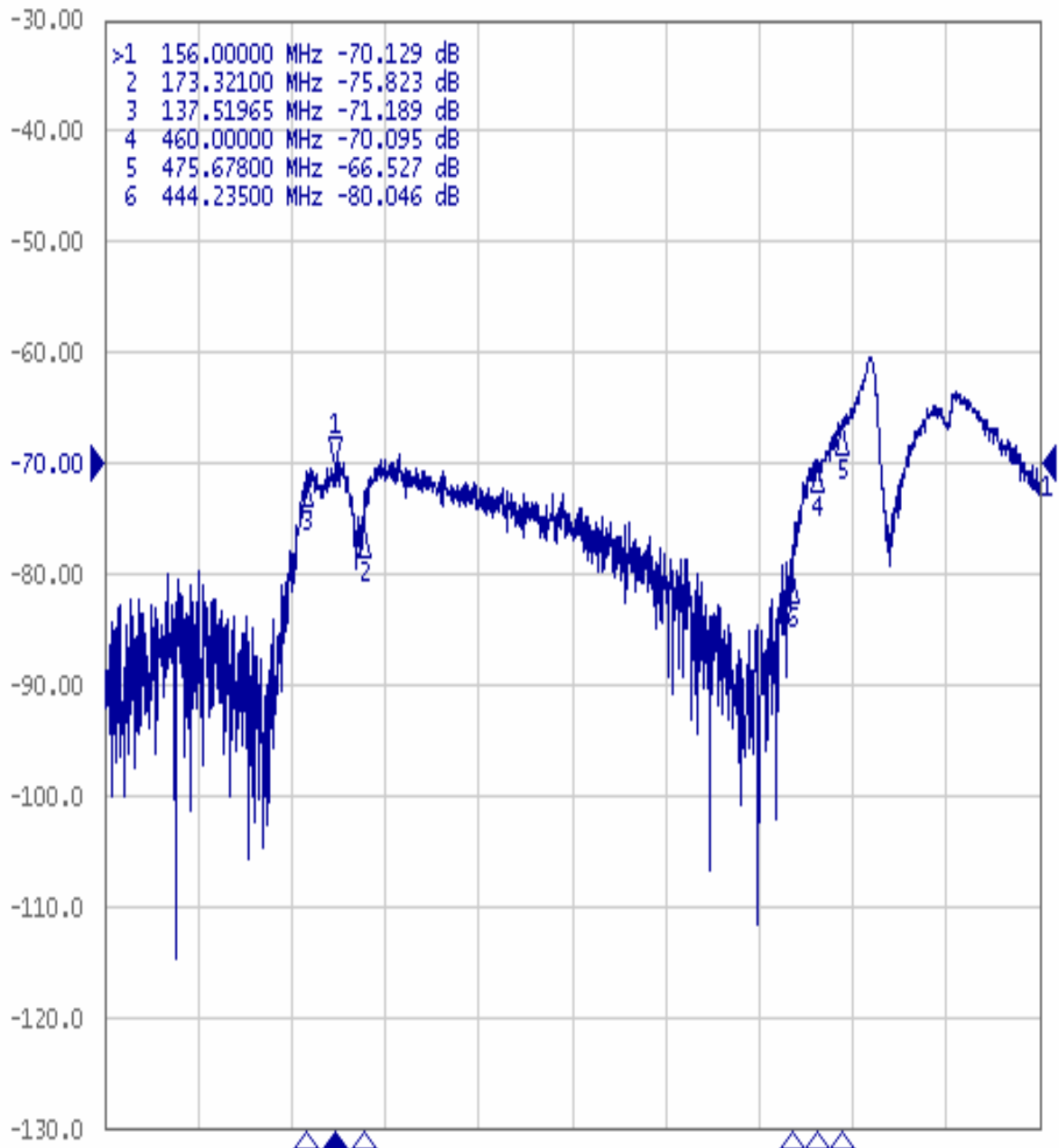


1 Start 10 MHz

IFBW 10 kHz

Stop 600 MHz C?

Tr1 S23 Log Mag 10.00dB/ Ref -70.00dB [F3]



1 Start 10 MHz

IFBW 10 kHz

Stop 600 MHz C? !