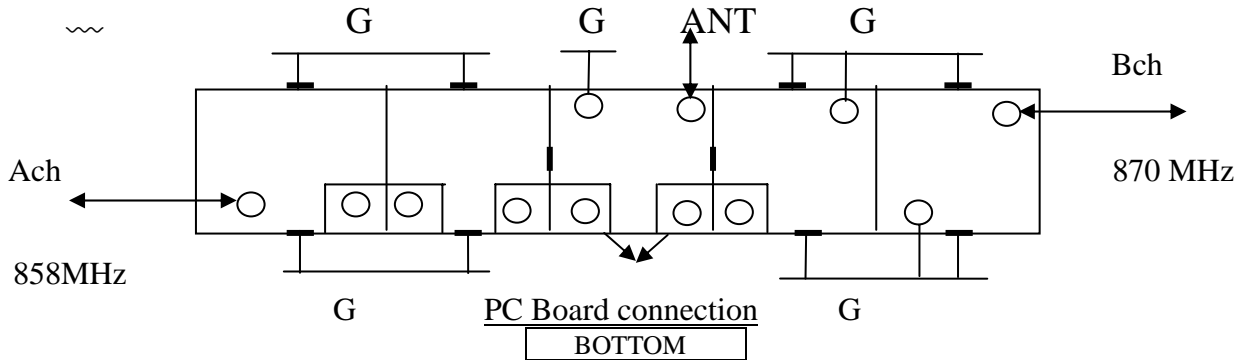


Miniature Duplexer Specification Sheet

CUSTOMER		PARTS NO.	DHM21L-858M/870M-P
Approval No.	20404089DB	Date	Jun.11.2004
Case Name	7H212(0* 4.6)	Bobbin(DUP)	D2PL858M/870M
Bobbin(A)	LLP858M/870M(L/R)	Bobbin(B)	DHP67328F-880M(L/R)

(一) (TERMINATOR DIAGRAM):



(二) (ELECTRIC CHARACTERISTIC)

Tx Spec:

	TX / A Chn Spec.	Performance
Fo	858 MHz	858 MHz
Insertion Loss	80M – 650M Typ 1.5 dB	1.3 dB
	650M-800M Typ 1 dB	0.8 dB
	800M-858M Typ 3 dB	3.2 dB
PASS Band Width	80-858 MHZ	80-858 MHz
Immage Rejection At Fo + (12) MHz	Typ 15 dB	21 dB
Return Loss	Typ 8 dB	8 dB
Impedance	ANT : 75 Ohm / Tx : 75 Ohm	

Rx Spec:

	RX / B Chnn Spec.	Performance
Fo	870 MHz	870 MHz
Insertion Loss	Typ 5.0 dB	4.0 dB
-1 dB Band Width	Typ 8 MHz	12 MHz
Immage Rejection At Fo – (12)MHz	Typ 15 dB	18 dB
Return Loss	Typ 12 dB	15 dB
Impedance	ANT : 75 Ohm. / Rx : 75 Ohm	

Isolation Test

	TX (A) To RX (B) Isolation	Performance
TX (A)Fo	858 MHz	858 MHz
RX (B) Fo	870 MHz	870 MHz
ISOLATION	25 dB	28 dB

4. Temperature Condition:

Operating Temperature	0 ~ +60
Storage Temperature	-20 ~ +70

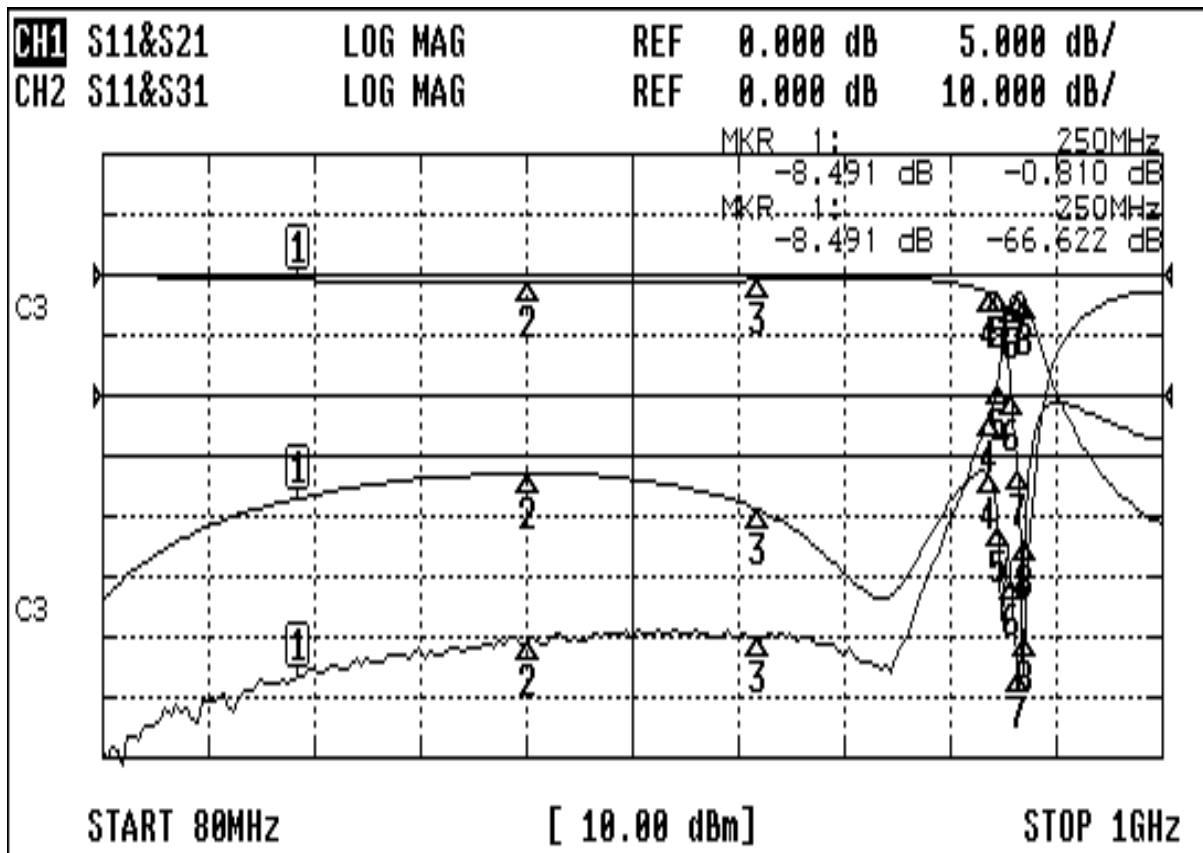
Approved	CHECK	Designer	Aperture
C.Y.Chang	C.S.Chang	Enlan	7H212(0* 4.6)SP

TEMWELL CORPORATION

TEMWELL Form No.70 Mini-Dup Vision : C

Performance- DHM21L-858M/870M-P

20404089DB



CH1 MARKER LIST				
1:	250.000MHz	-8.491 dB	-0.810 dB	
2:	450.000MHz	-6.463 dB	-1.321 dB	
3:	650.000MHz	-9.472 dB	-0.819 dB	
4:	850.000MHz	-6.671 dB	-2.757 dB	
5:	858.000MHz	-10.593 dB	-3.402 dB	
6:	870.000MHz	-15.754 dB	-20.547 dB	
7:	875.000MHz	-23.002 dB	-32.177 dB	
8:	882.000MHz	-11.824 dB	-59.587 dB	
9:				
10:				

CH2 MARKER LIST				
1:	250.000MHz	-8.491 dB	-66.622 dB	
2:	450.000MHz	-6.463 dB	-60.773 dB	
3:	650.000MHz	-9.472 dB	-60.327 dB	
4:	850.000MHz	-6.671 dB	-23.262 dB	
5:	858.000MHz	-10.593 dB	-18.049 dB	
6:	870.000MHz	-15.754 dB	-4.279 dB	
7:	875.000MHz	-23.002 dB	-3.108 dB	
8:	882.000MHz	-11.824 dB	-4.142 dB	
9:				
10:				