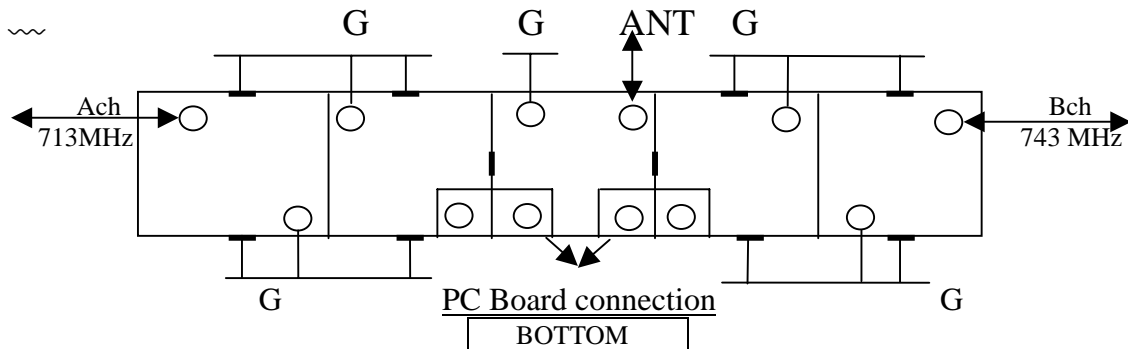


# Miniature Duplexer Specification Sheet

|              |                  |           |                   |
|--------------|------------------|-----------|-------------------|
| CUSTOMER     |                  | Parts No. | DGC23L-713M/743MP |
| Approval No. | 20311029C        | Date      | Nov.18.2003       |
| Case Name    | 7H212(4.65*4.65) | Case Size |                   |

(一) (TERMINATOR DIAGRAM):



(二) (ELECTRIC CHARACTERISTIC)

**Tx Spec:**

|                                       | TX / A Chn  | Spec. | Performance |     |
|---------------------------------------|---|-------|-------------|-----|
| Fo                                    | 713   | MHz   | 713         | MHz |
| Space Freq.                           | 30  | MHz   | 30          | MHz |
| Insertion Loss                        | Max 3   | dB    | 2.8         | dB  |
| -1 dB Band Width                      | > 8   | MHz   | 11          | MHz |
| Image Rejection<br>At Fo + ( 30 ) MHz | 28  | dB    | 34          | dB  |
| Return Loss                           | ANT(A+B) Terminal: >12.0 dB / Tx (A)Terminal : >12 dB |       |             |     |
| Impedance                             | ANT : 75 Ohm / Tx : 75 Ohm                            |       |             |     |

**Rx Spec:**

|                                      | RX / B Chnn                               | Spec. | Performance |     |
|--------------------------------------|---|-------|-------------|-----|
| Fo                                   | 743                                       | MHz   | 743         | MHz |
| Space Freq.                          | 30  | MHz   | 30          | MHz |
| Insertion Loss                       | Max 3.6                                   | dB    | 3.5         | dB  |
| -1 dB Band Width                     | > 8                                       | MHz   | 9           | MHz |
| Image Rejection<br>At Fo - ( 30 )MHz | 30  | dB    | 32          | dB  |
| Return Loss                          | ANT Terminal > 12 dB / Rx Terminal >12 dB |       |             |     |
| Impedance                            | ANT : 75 Ohm. / Rx : 75 Ohm               |       |             |     |

**Isolation Test**

|             | TX (A) To RX (B) | Isolation | Performance |     |
|-------------|------------------|-----------|-------------|-----|
| TX ( A )Fo  | 713              | MHz       | 713         | MHz |
| RX ( B ) Fo | 743              | MHz       | 743         | MHz |
| ISOLATION   | 37               | dB        | 35          | dB  |

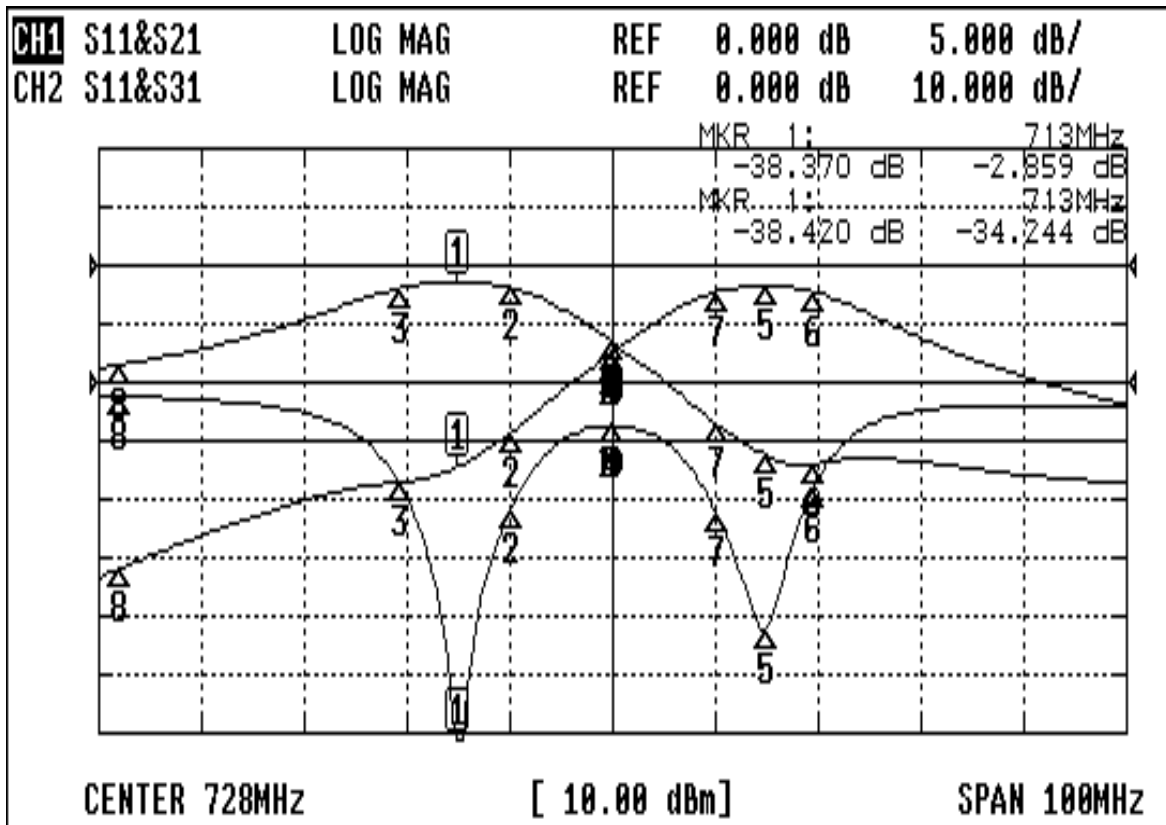
**4. Temperature Condition:**

|                       |           |
|-----------------------|-----------|
| Operating Temperature | 0 ~ +60   |
| Storage Temperature   | -20 ~ +70 |

|            |            |            |                    |
|------------|------------|------------|--------------------|
| Approved   | CHECK      | Designer   | Aperture           |
| C.S. Chang | C.S. Chang | P.H. Ching | 7H212(4.65*4.65)SP |

# Performance- DGC23L-713M/743MP

## 20311029C



CH1 MARKER LIST

|     |            |            |            |
|-----|------------|------------|------------|
| 1:  | 713.000MHz | -38.370 dB | -2.859 dB  |
| 2:  | 718.166MHz | -10.876 dB | -3.864 dB  |
| 3:  | 707.333MHz | -8.645 dB  | -3.854 dB  |
| 4:  | 728.000MHz | -3.666 dB  | -13.177 dB |
| 5:  | 743.000MHz | -21.242 dB | -32.453 dB |
| 6:  | 747.583MHz | -9.113 dB  | -33.971 dB |
| 7:  | 738.250MHz | -11.275 dB | -27.219 dB |
| 8:  | 680.000MHz | -1.192 dB  | -17.012 dB |
| 9:  | 728.000MHz | -3.666 dB  | -13.177 dB |
| 10: | 728.000MHz | -3.666 dB  | -13.177 dB |

CH2 MARKER LIST

|     |            |            |            |
|-----|------------|------------|------------|
| 1:  | 713.000MHz | -38.420 dB | -34.244 dB |
| 2:  | 718.166MHz | -10.873 dB | -28.582 dB |
| 3:  | 707.333MHz | -8.642 dB  | -37.075 dB |
| 4:  | 728.000MHz | -3.666 dB  | -14.848 dB |
| 5:  | 743.000MHz | -21.247 dB | -3.501 dB  |
| 6:  | 747.583MHz | -9.113 dB  | -4.510 dB  |
| 7:  | 738.250MHz | -11.272 dB | -4.431 dB  |
| 8:  | 680.000MHz | -1.187 dB  | -51.788 dB |
| 9:  | 728.000MHz | -3.666 dB  | -14.848 dB |
| 10: | 728.000MHz | -3.666 dB  | -14.848 dB |